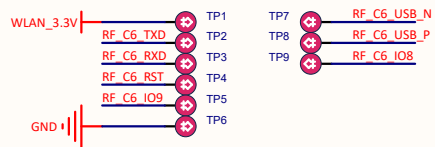
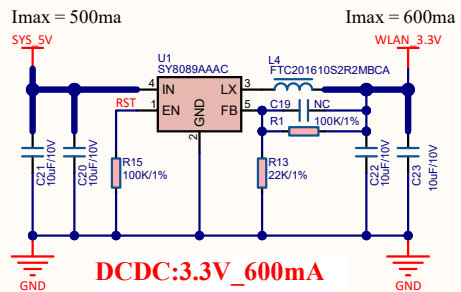


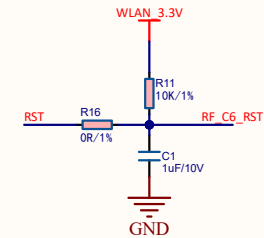
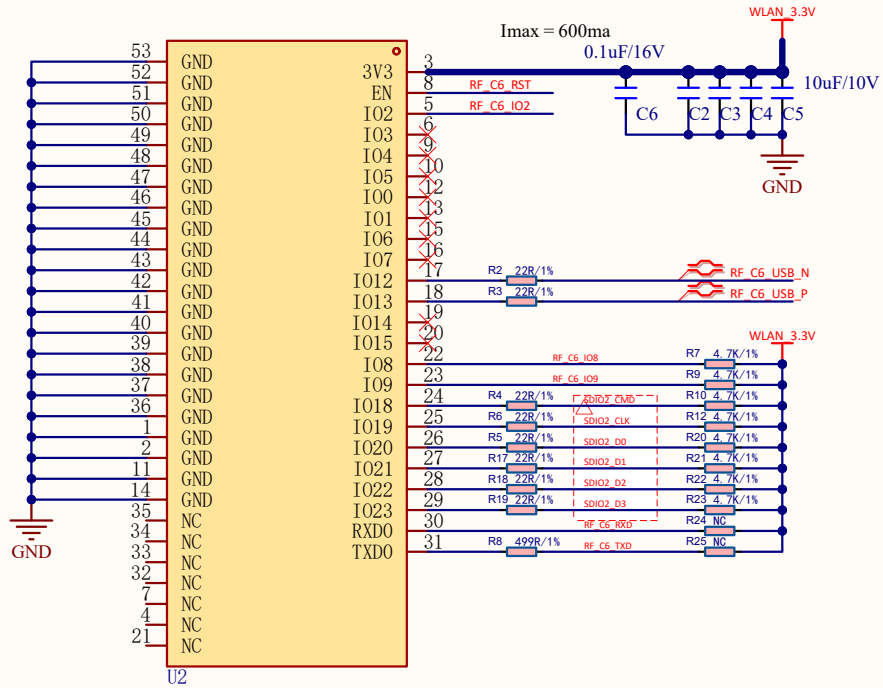
**SDIO Interface**



**Debug Interface**



**DCDC:3.3V\_600mA**



1 2 3 4

A

B

C

D