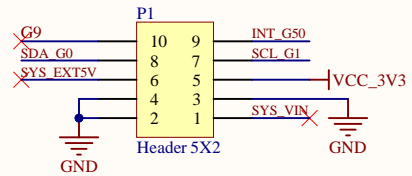
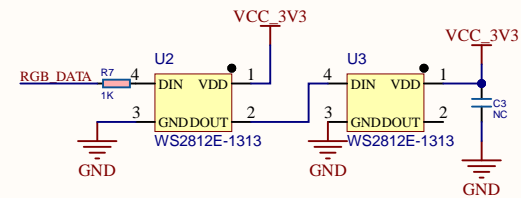
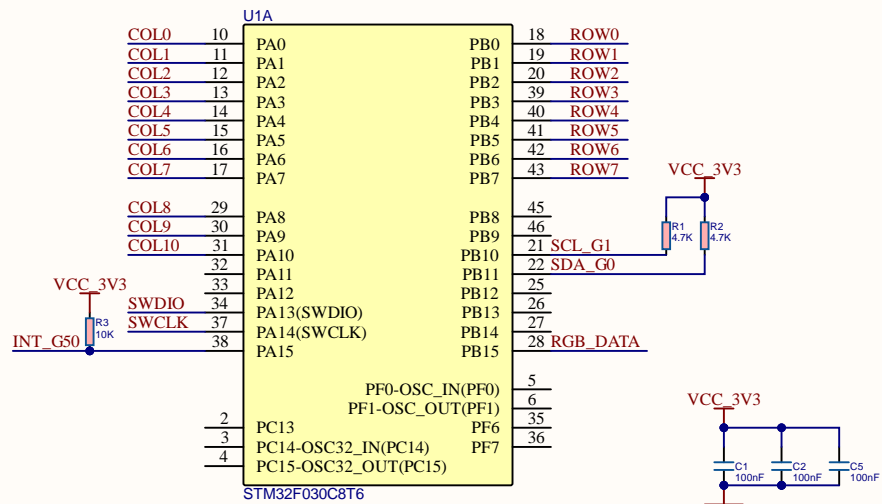


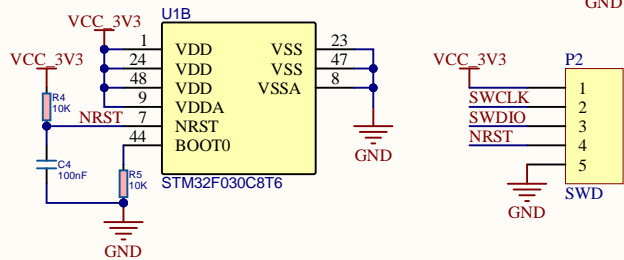
Keyboard matrix
5x14



Interface 2x5



RGB



MCU