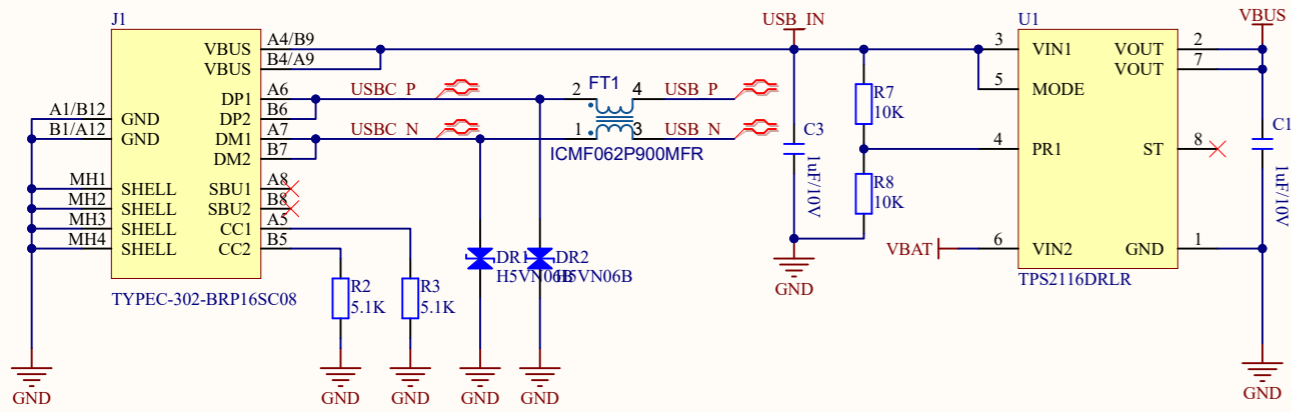
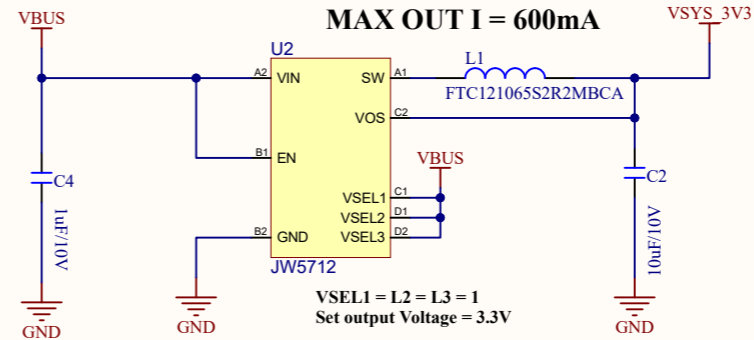


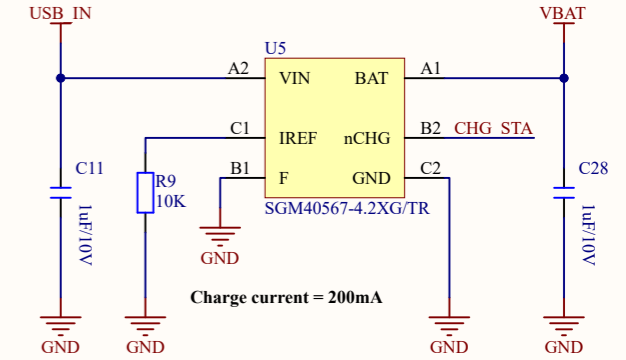
# USBC IN



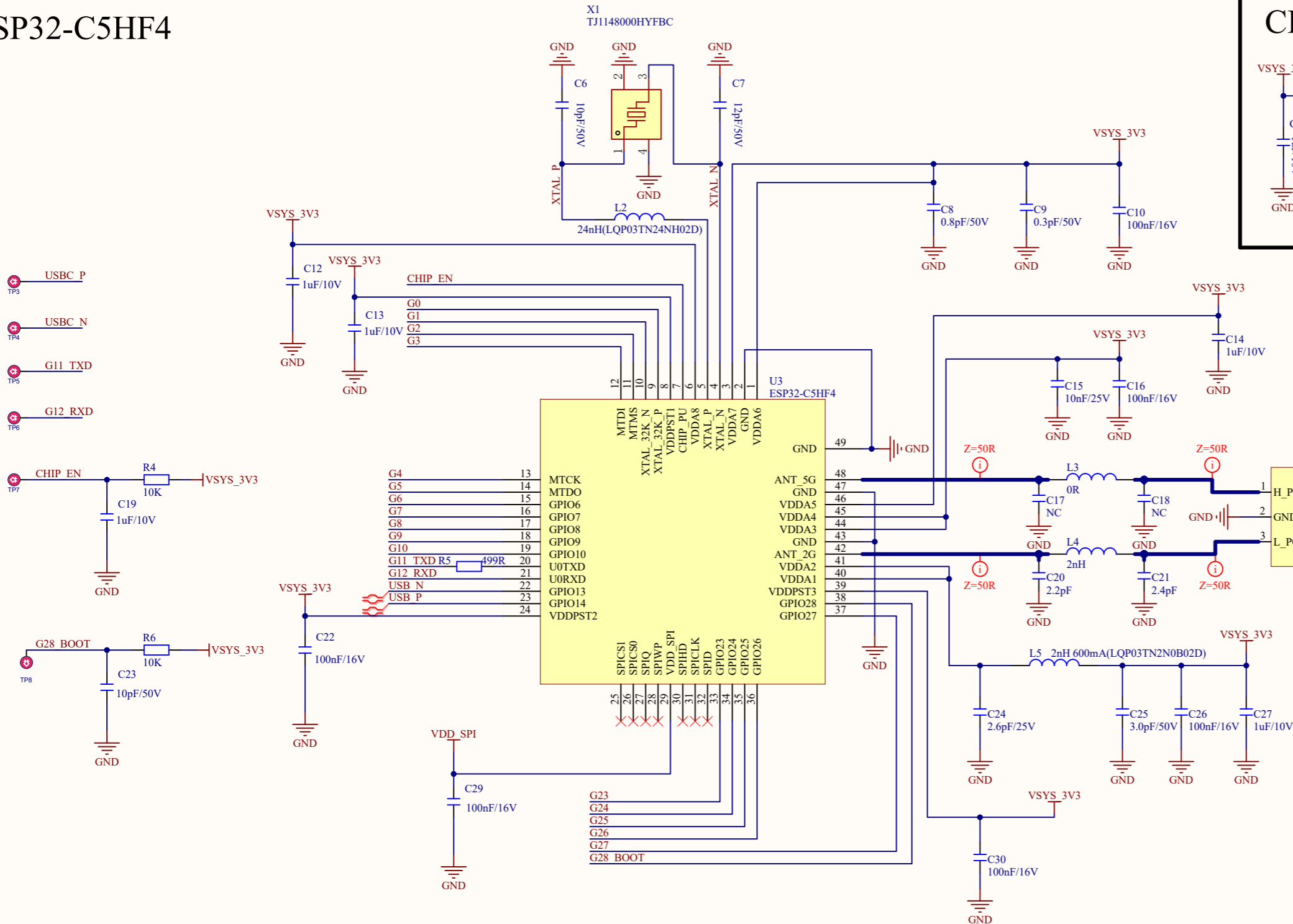
# POWER 3V3



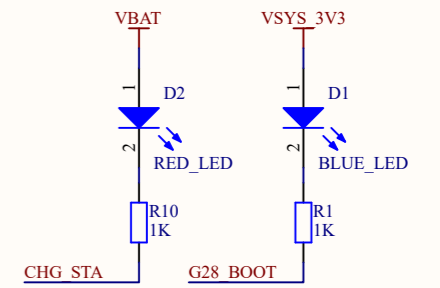
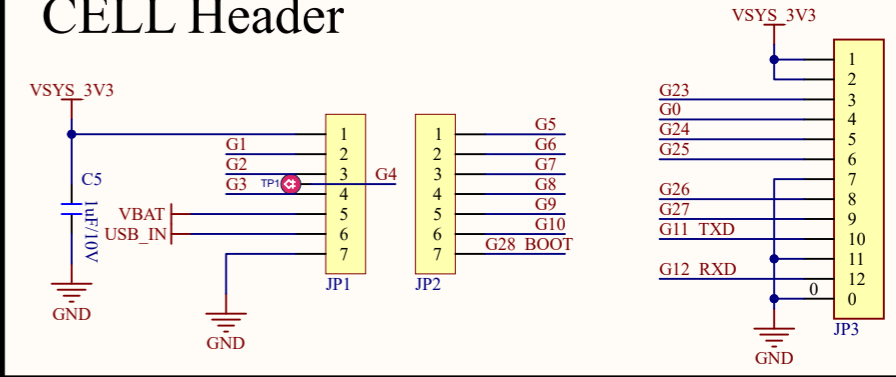
# Charge



# ESP32-C5HF4



# CELL Header



Title		
StampC5		
Size	Number	Revision
A3	2/2	V0.2
Date:	2/07/2026	Sheet of
File:	D:\Desktop\...02 ESP32-C5HF4.SchDoc	Drawn By: