

A

A

B

B

C

C

D

D

1

2

3

4

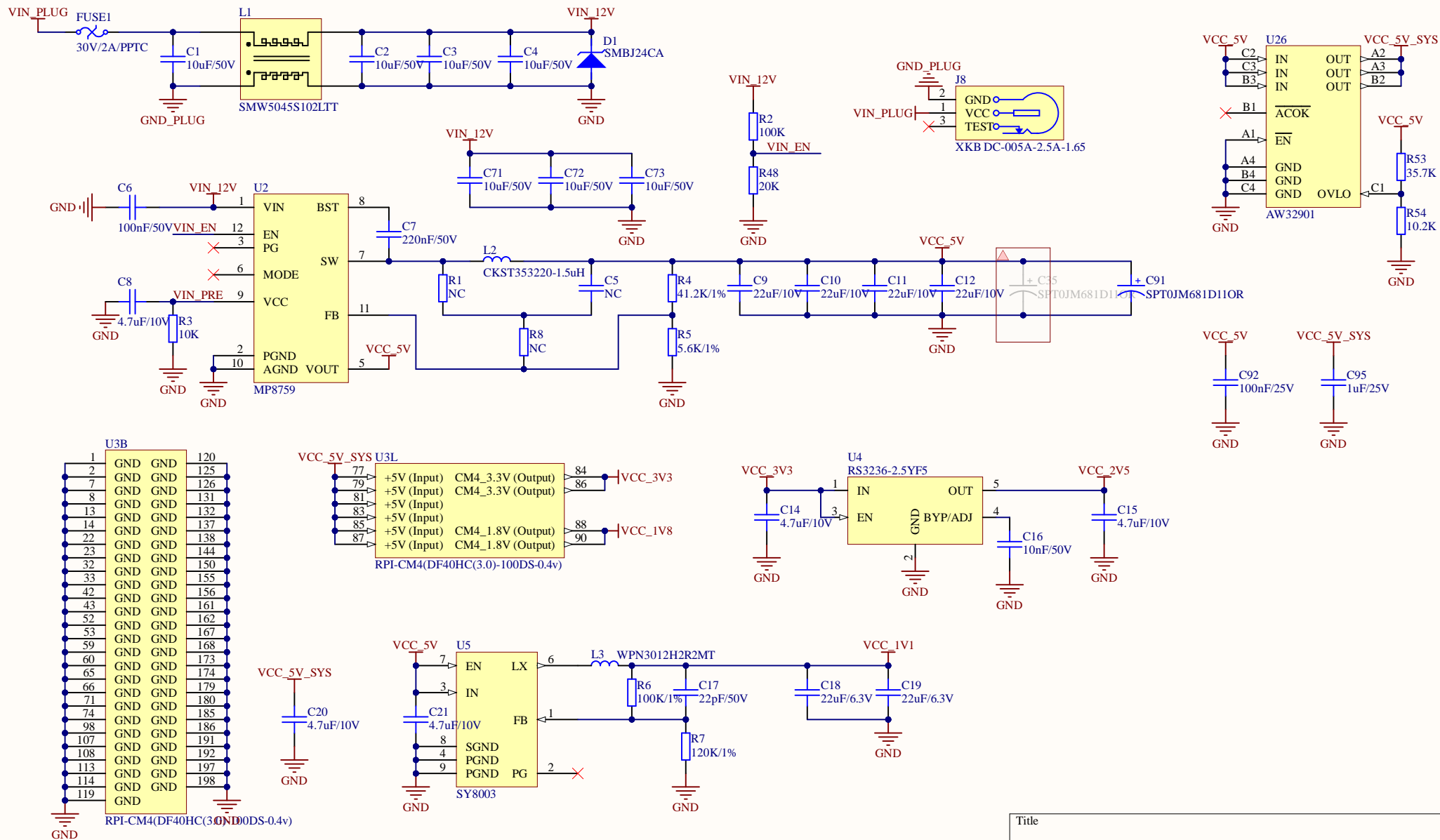
1

2

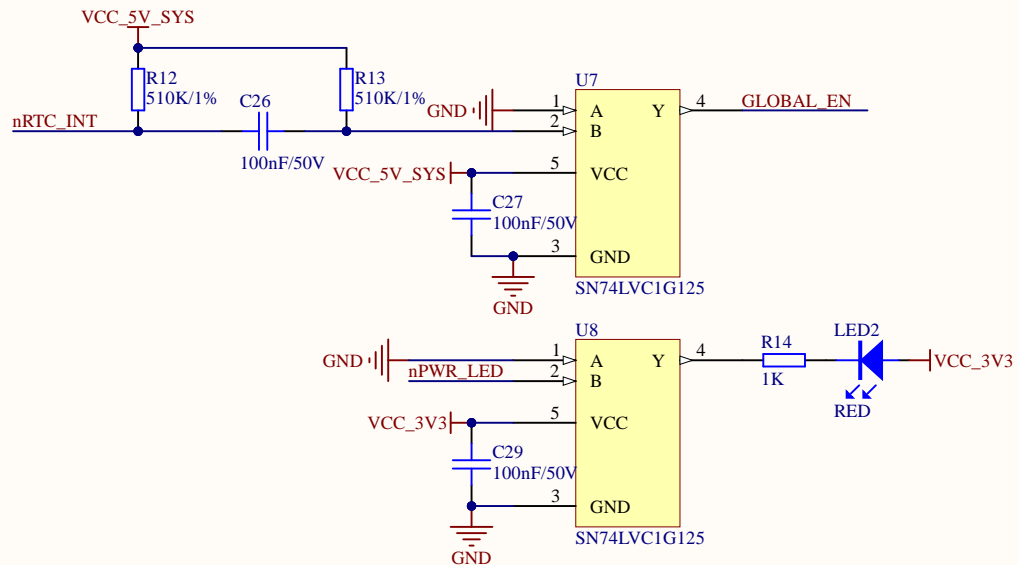
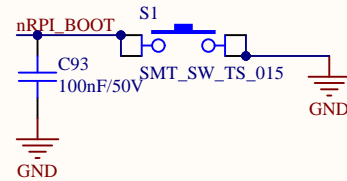
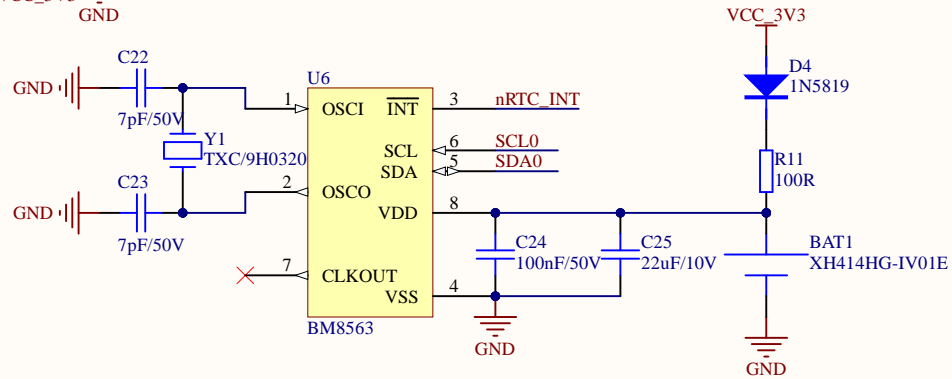
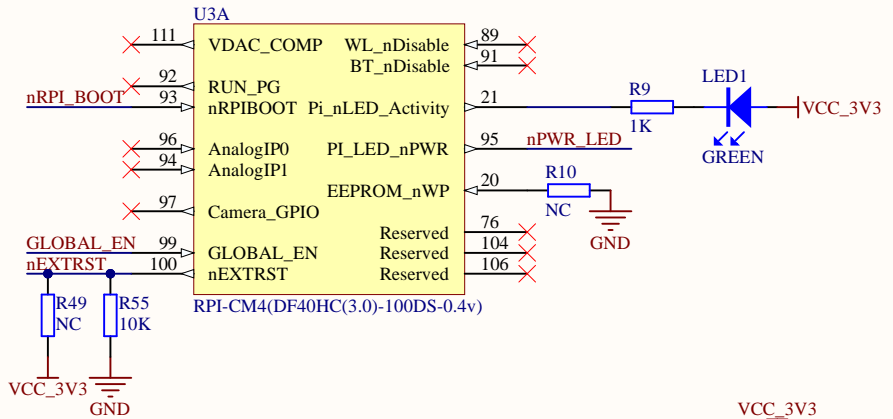
3

4

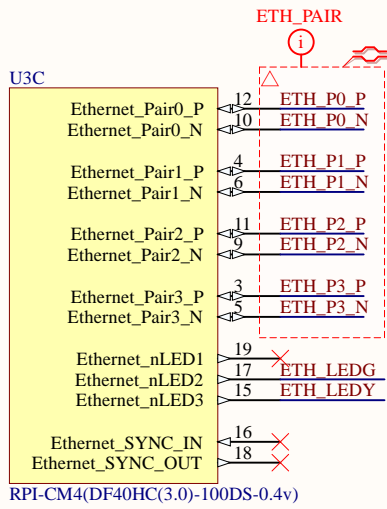
Title		
Size A	Number	Revision
Date: 1/05/2023	Sheet of	
File: F:\AltiumDesigner\...\A1-Title.SchDoc	Drawn By:	



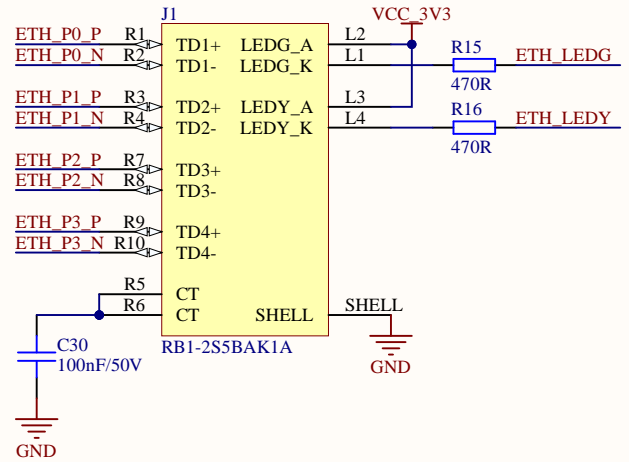
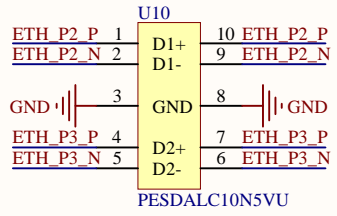
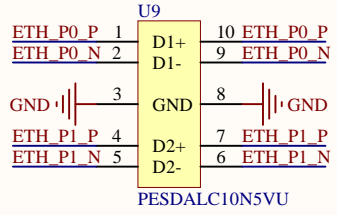
Title		
Size	Number	Revision
A4		
Date:	1/05/2023	Sheet of
File:	F:\AltiumDesigner\A2-PWR.SchDoc	Drawn By:



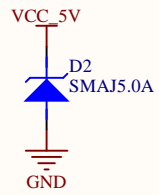
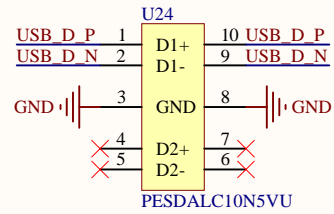
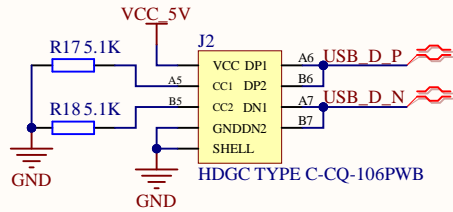
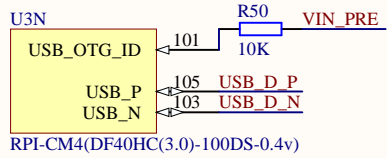
Title		
Size	Number	Revision
A		
Date:	1/05/2023	Sheet of
File:	F:\AltiumDesigner\...\A3-PI_SYS.SchDoc	Drawn By:



ETH_PAIR

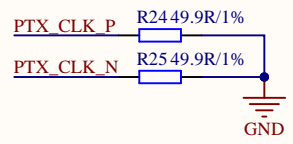
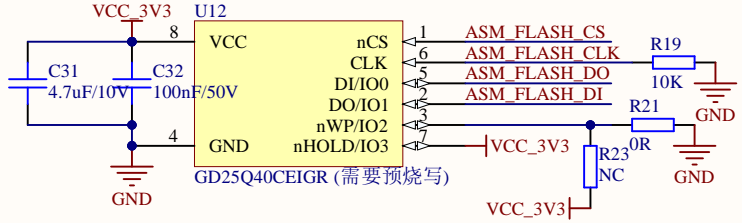
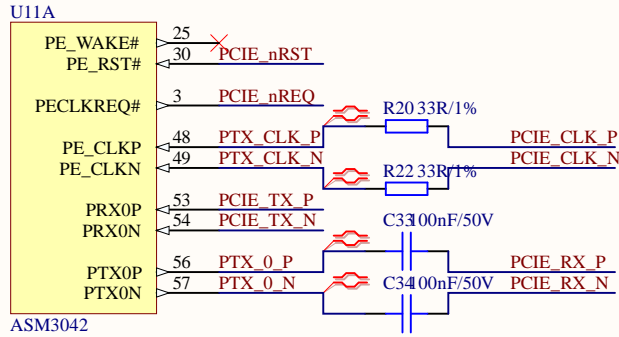
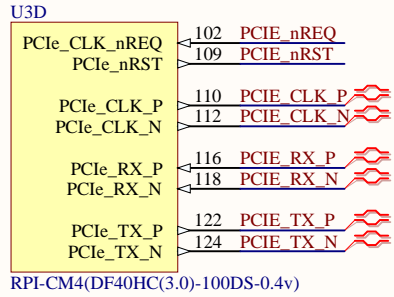


Title		
Size A	Number	Revision
Date: 1/05/2023	Sheet of	
File: F:\AltiumDesigner\...\A4-ETH.SchDoc	Drawn By:	

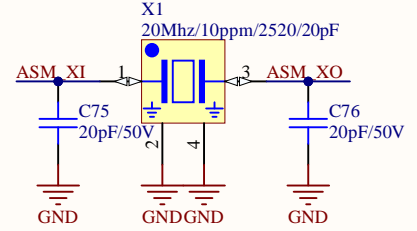
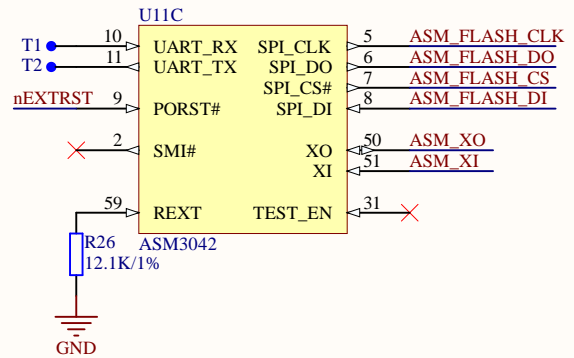
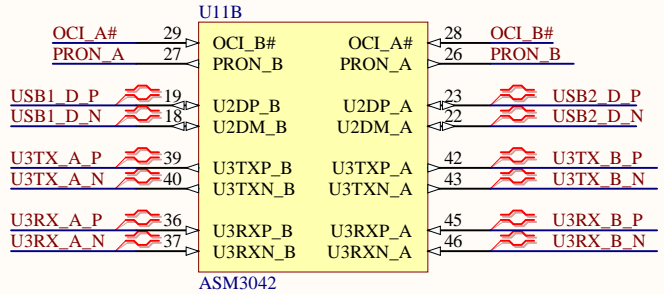


Title		
Size A	Number	Revision
Date: 1/05/2023	Sheet of	
File: F:\AltiumDesigner\...\A5-USB_OTG.SchDoc	Drawn By:	

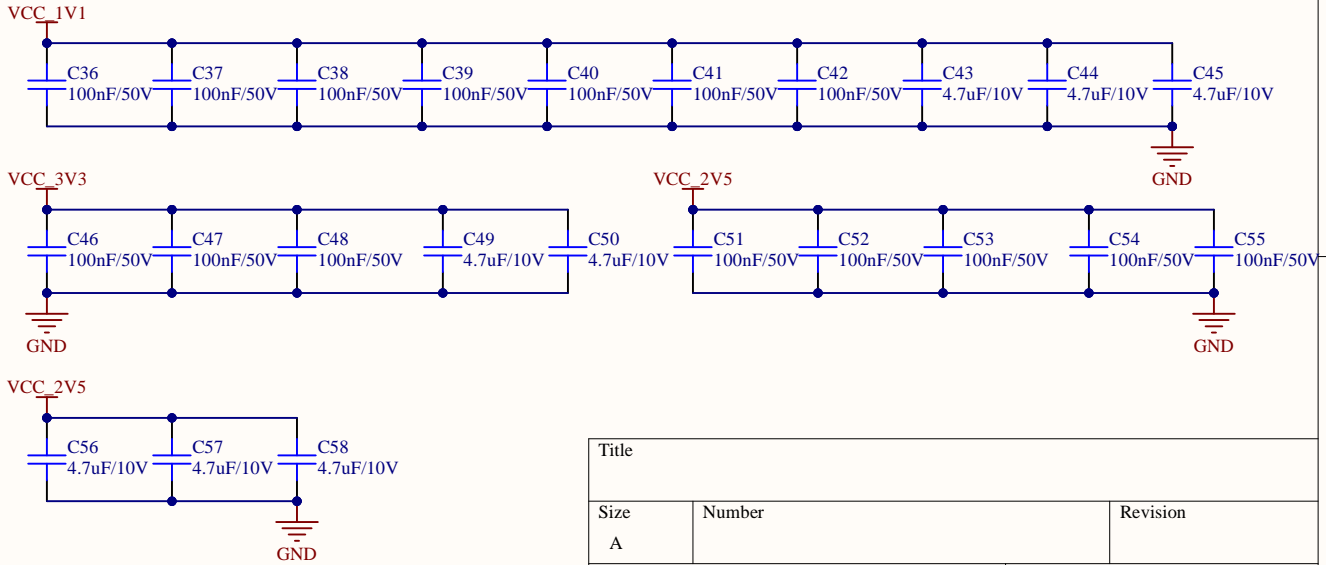
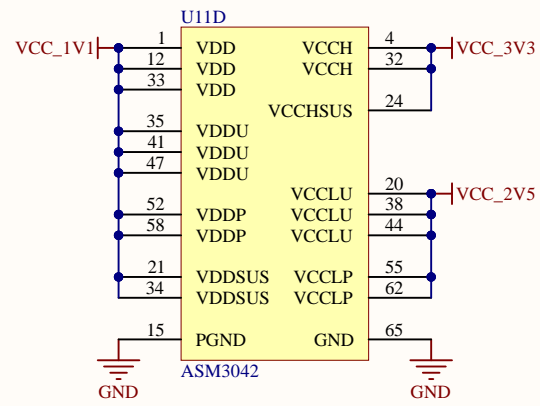
A



B

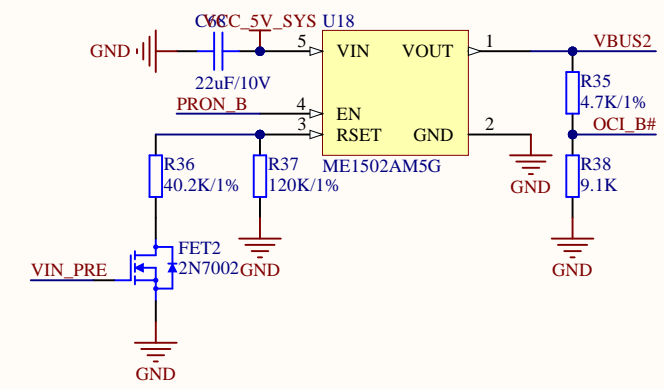
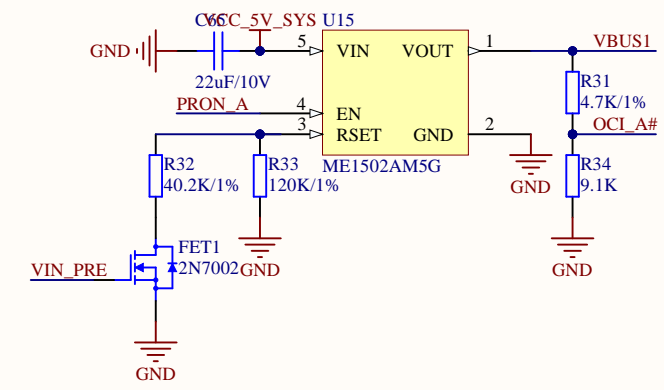
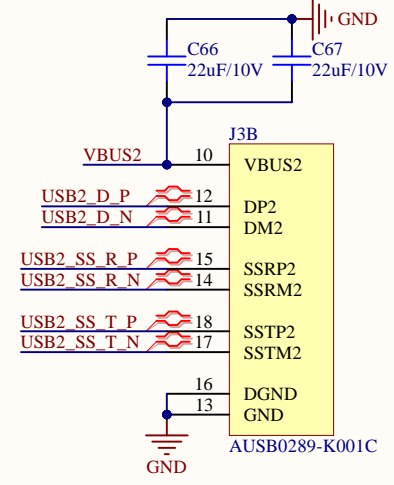
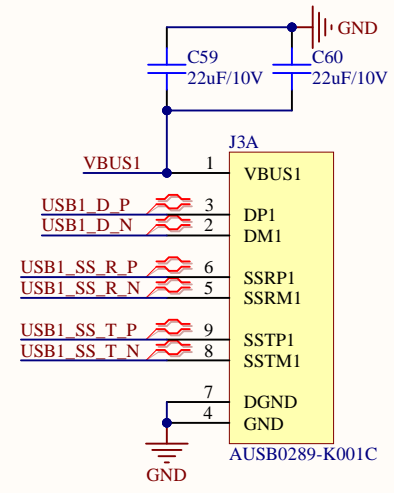
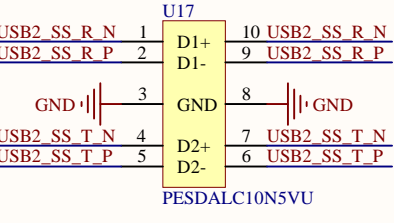
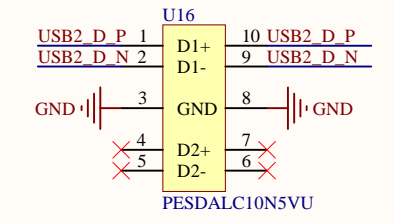
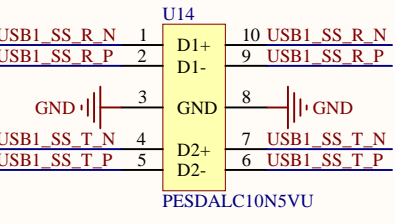
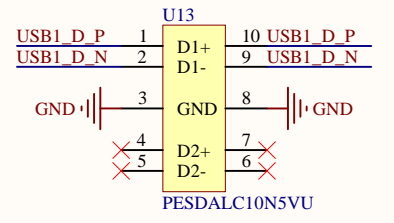
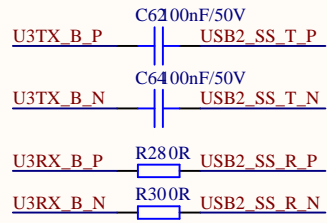
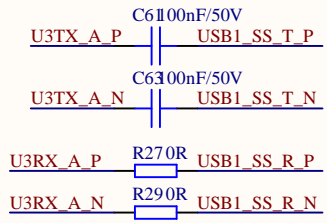


C

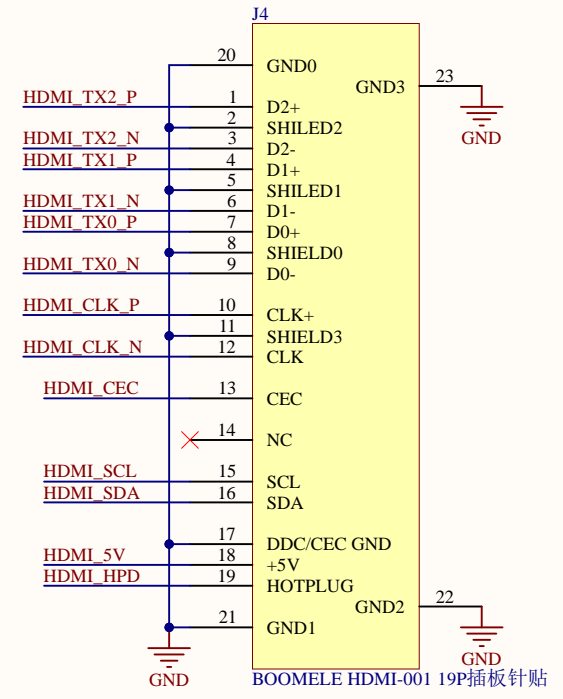
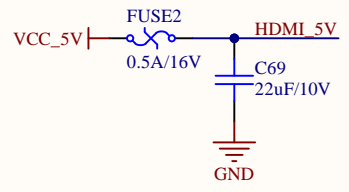
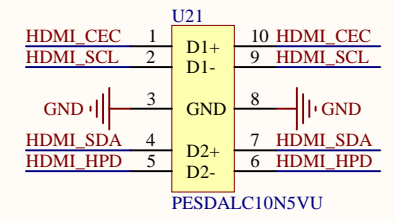
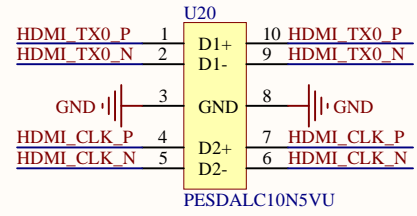
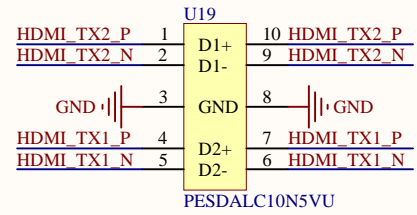
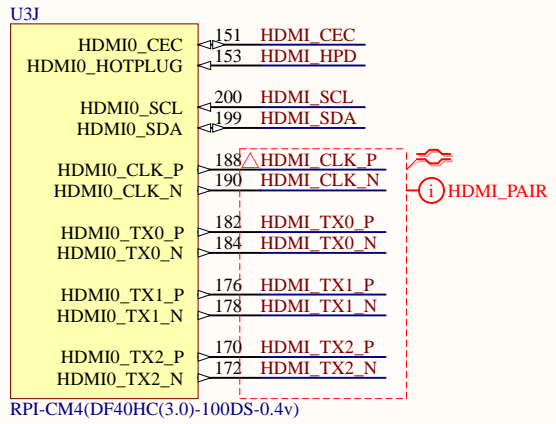


D

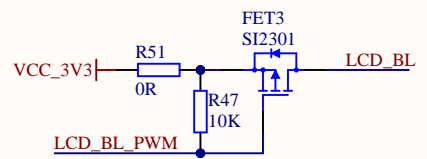
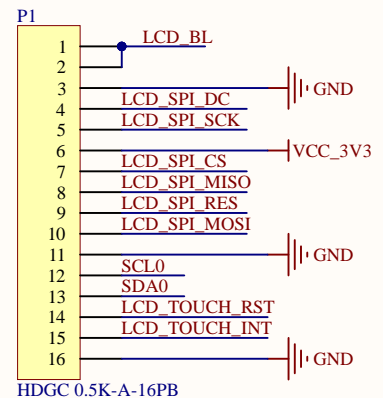
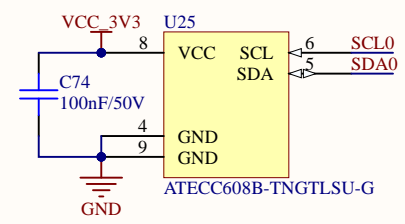
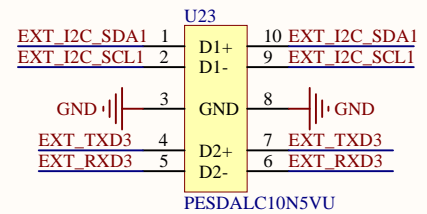
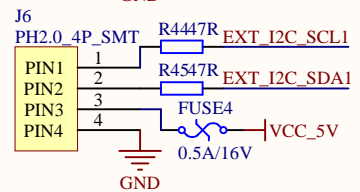
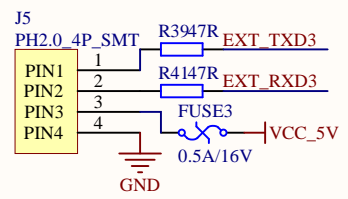
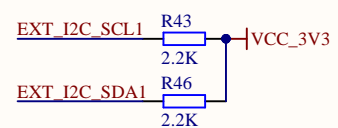
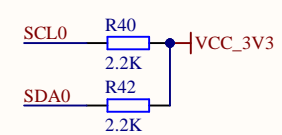
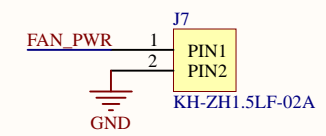
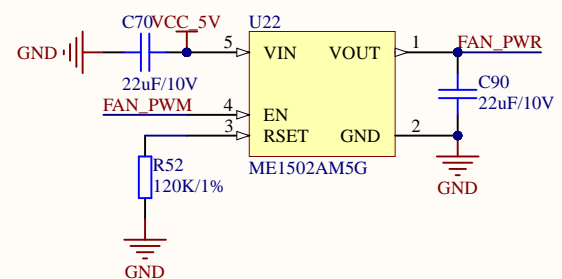
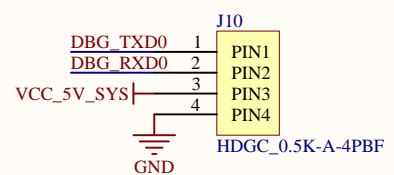
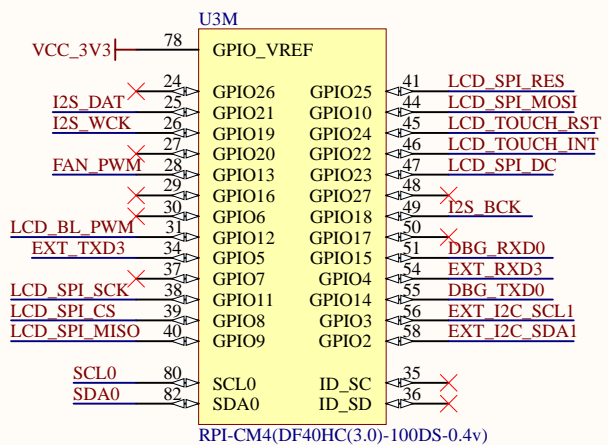
Title		
Size	Number	Revision
A		
Date:	1/05/2023	Sheet of
File:	F:\AltiumDesigner\...\A6-USB3_BRIDGE_SchDoc	By:



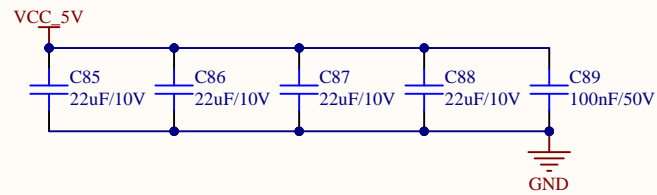
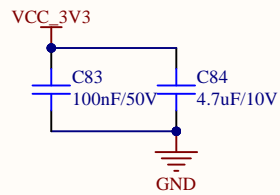
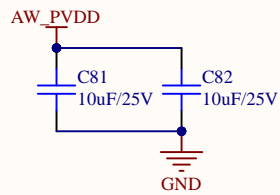
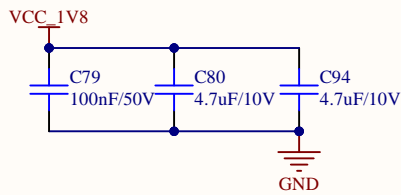
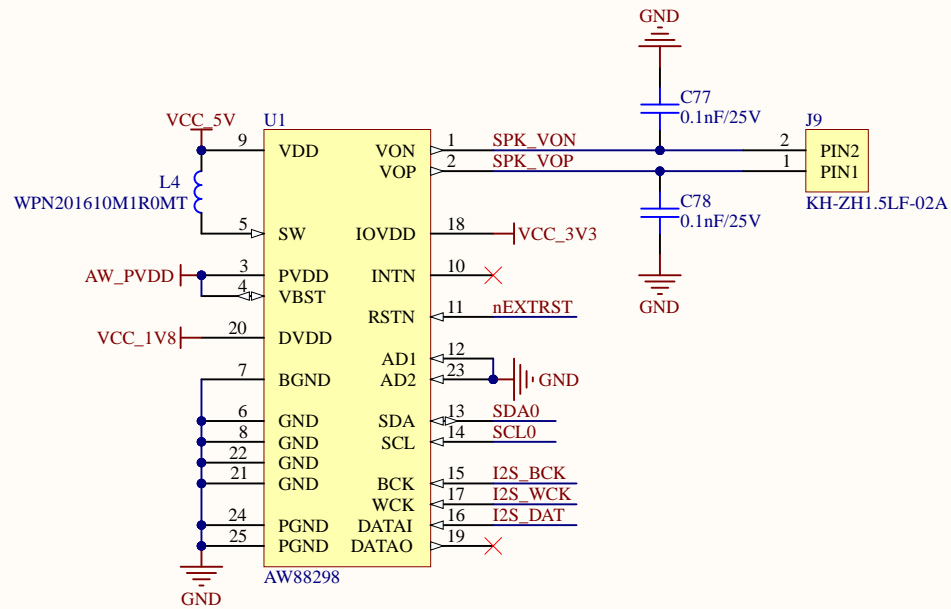
Title		
Size	Number	Revision
A		
Date:	1/05/2023	Sheet of
File:	F:\AltiumDesigner\...\A6.1-USB3_CONN	Sheet No. By:



Title		
Size	Number	Revision
A		
Date:	1/05/2023	Sheet of
File:	F:\AltiumDesigner\...\A7-HDMI_OUT0.SchDoc	

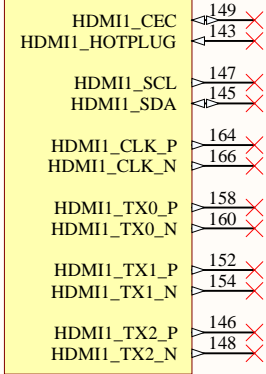


Title		
Size	Number	Revision
A		
Date:	1/05/2023	Sheet of
File:	F:\AltiumDesigner\...\A8-RPI_GPIO.SchDoc	Drawn By:



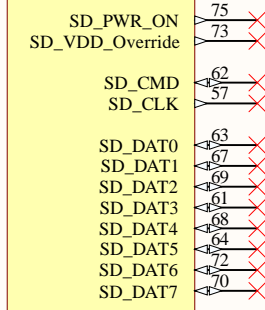
Title		
Size	Number	Revision
A		
Date:	1/05/2023	Sheet of
File:	F:\AltiumDesigner\...\A8.1-AUDIO.SchDoc	Drawn By:

U3K



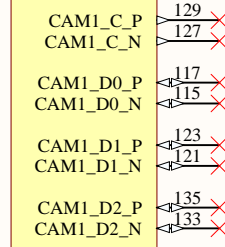
RPI-CM4

U3E



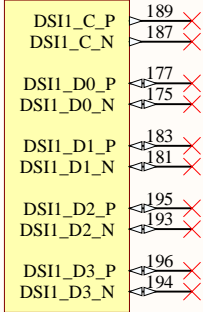
RPI-CM4

U3F



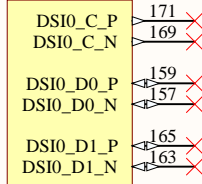
RPI-CM4

U3H



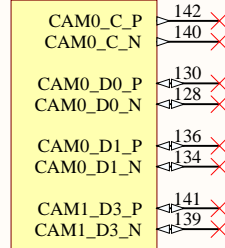
RPI-CM4

U3I



RPI-CM4

U3G



RPI-CM4

Title		
Size	Number	Revision
A		
Date:	1/05/2023	Sheet of
File:	F:\AltiumDesigner\..\A9-DUMMY.SchDoc Drawn By:	