

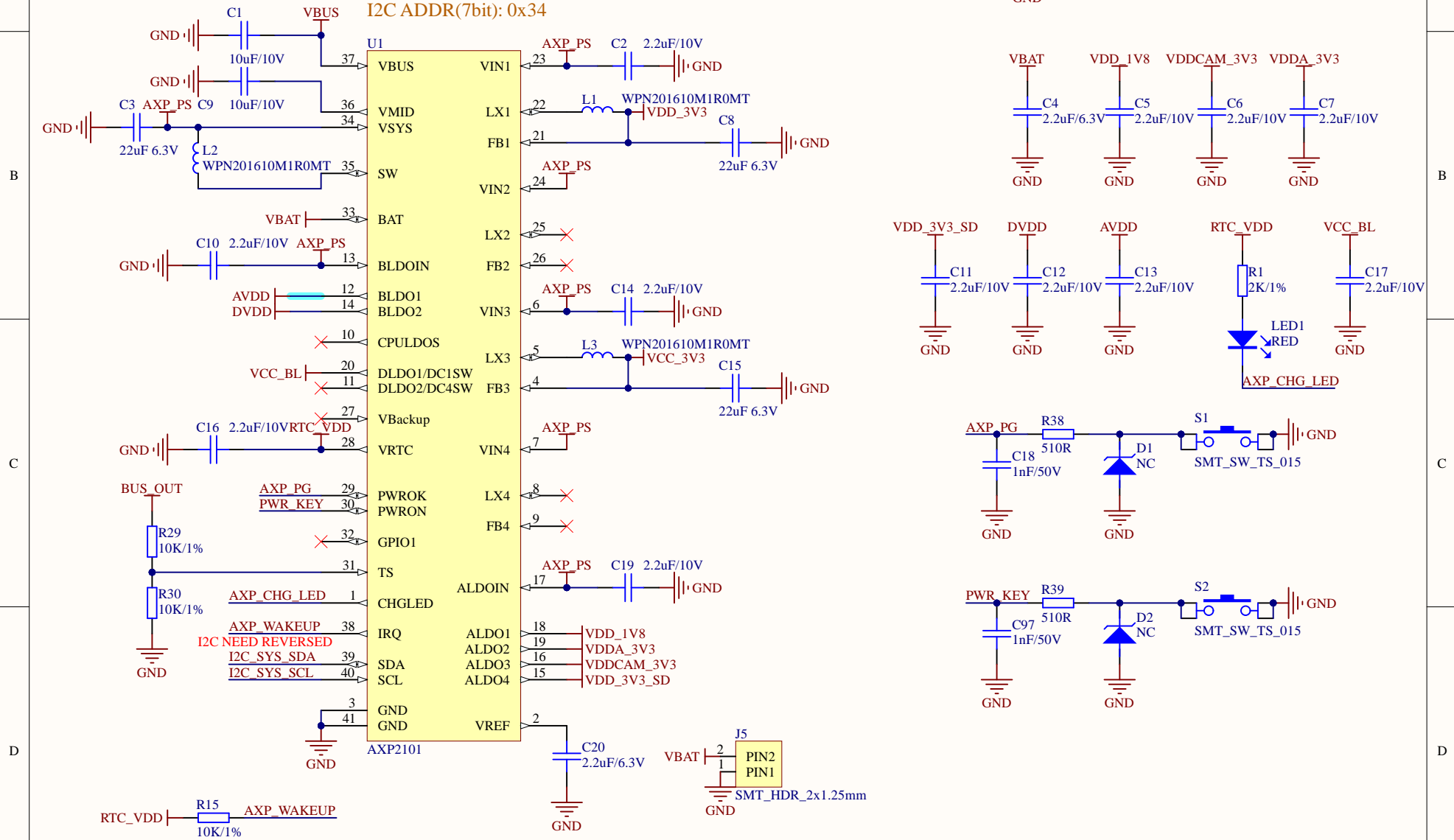
DCDC1: 3.3V/2A (Core VDD)  
 DCDC3: 3.3V/2A (Peripherals VDD)  
 DCDC4: 1.8V/1.5A  
 DCDC5: 3.3V/1A (LCD BL)

RTCLDO1: 3.3V/30mA RTC VDD

ALDO1: 1.8V/300mA PA DVDD  
 ALDO2: 3.3V/300mA Codec VDDP  
 ALDO3: 3.3V/300mA Codec VDDA/MIC VDDA  
 ALDO4: 3.3V/300mA SD Card VDD

BLDO1: 2.8V/300mA Sensor VDDA  
 BLDO2: 1.2V/300mA Sensor VDD

I2C ADDR(7bit): 0x34



A

B

C

D

A

B

C

D

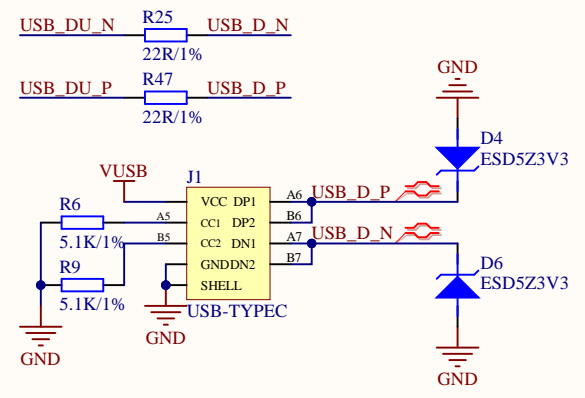
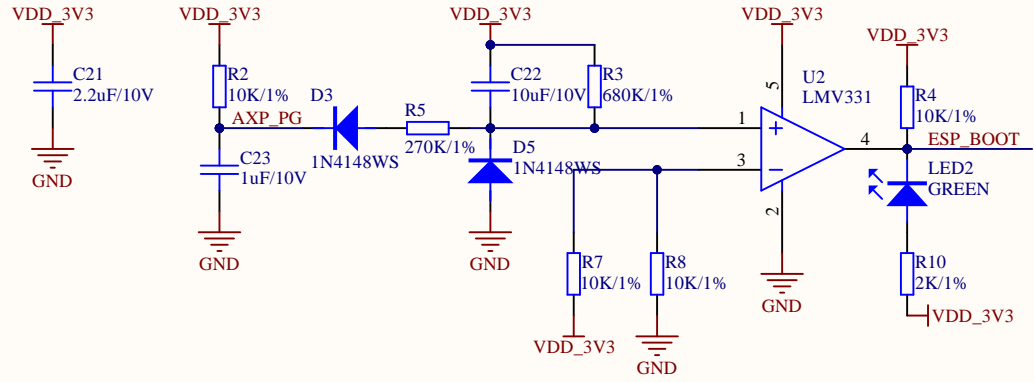
1

2

3

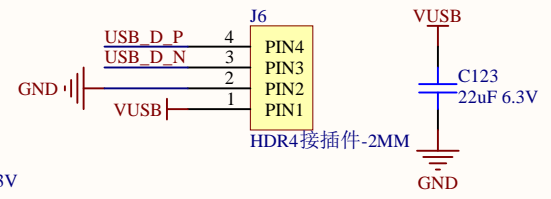
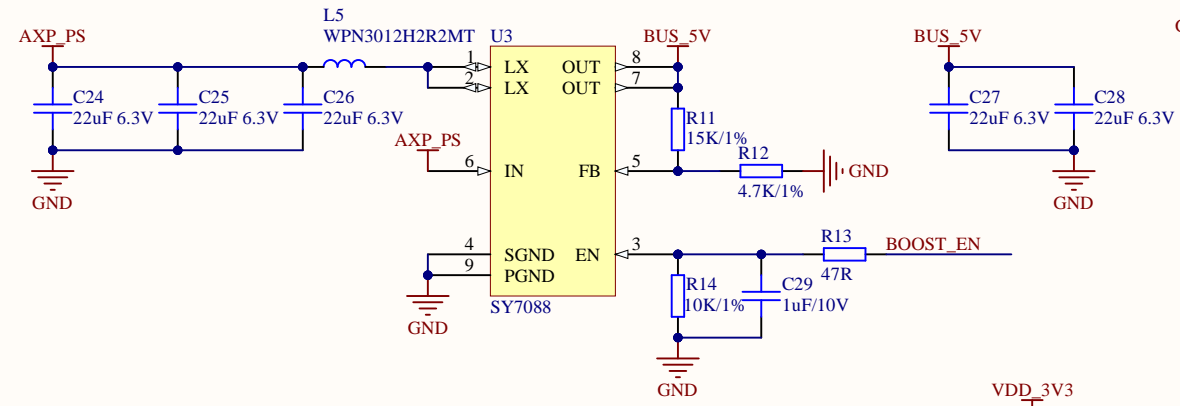
4

A



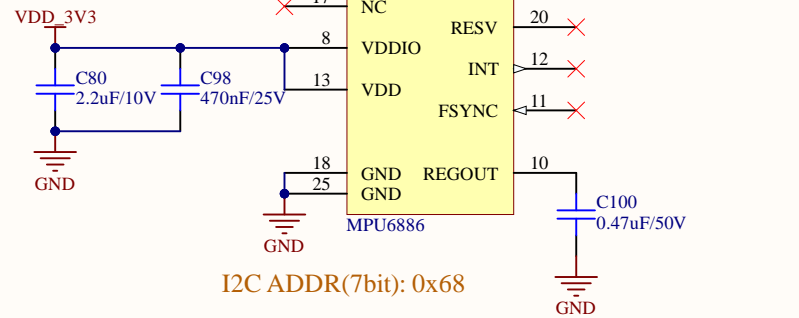
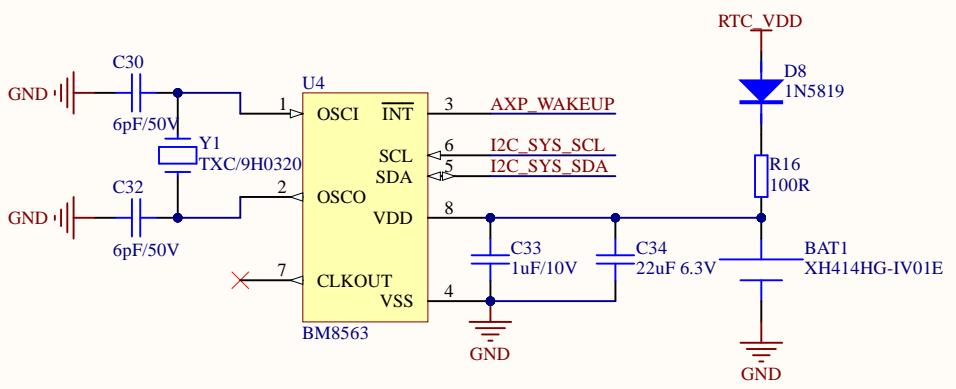
A

B



B

C



I2C ADDR(7bit): 0x68

C

D

D

