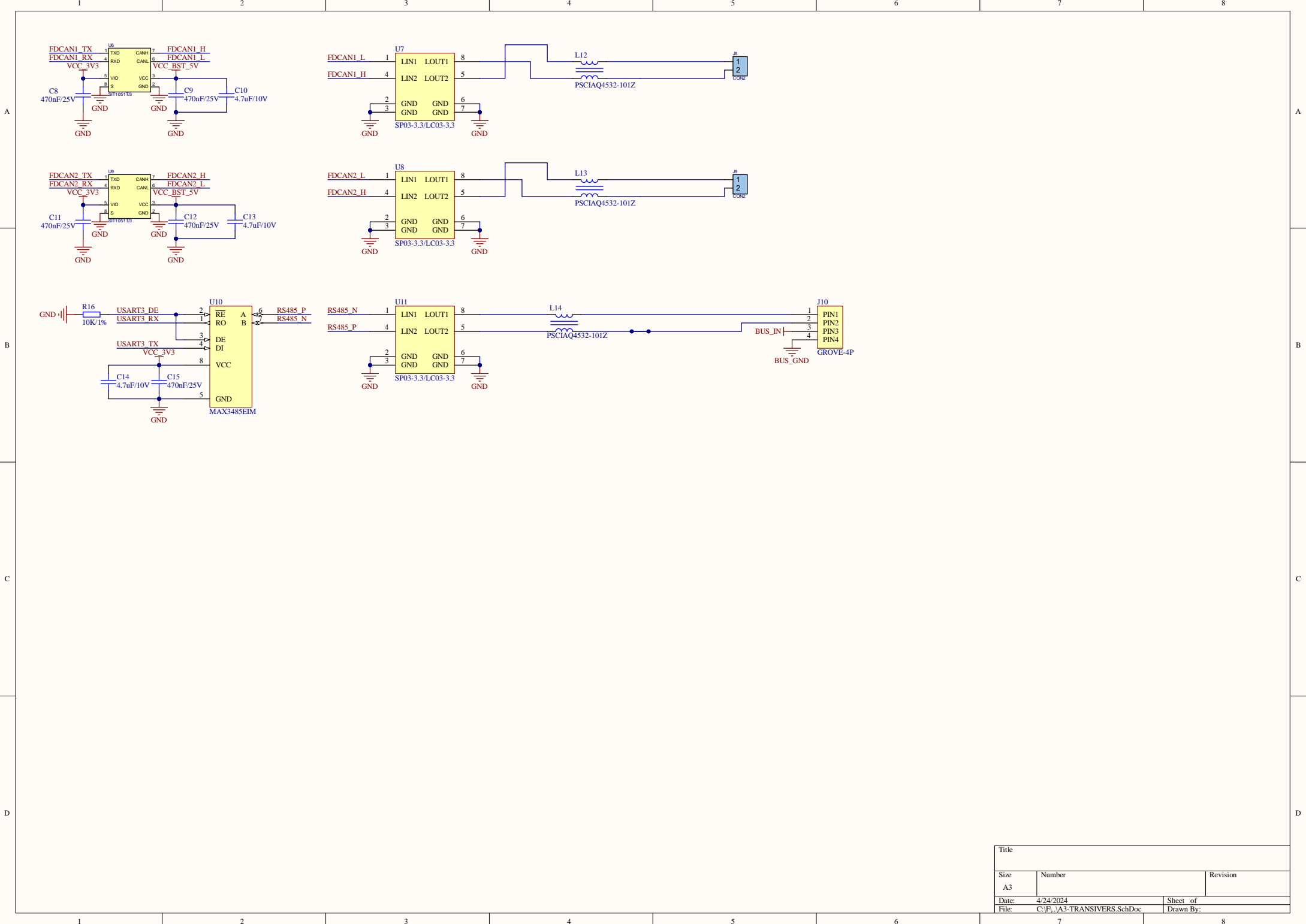
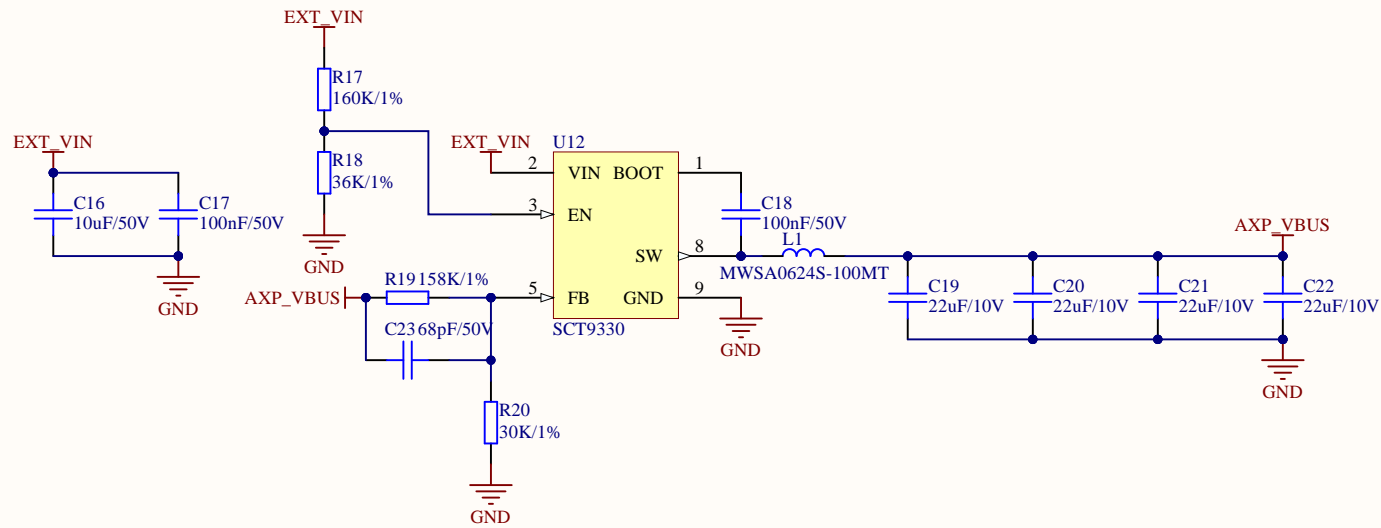


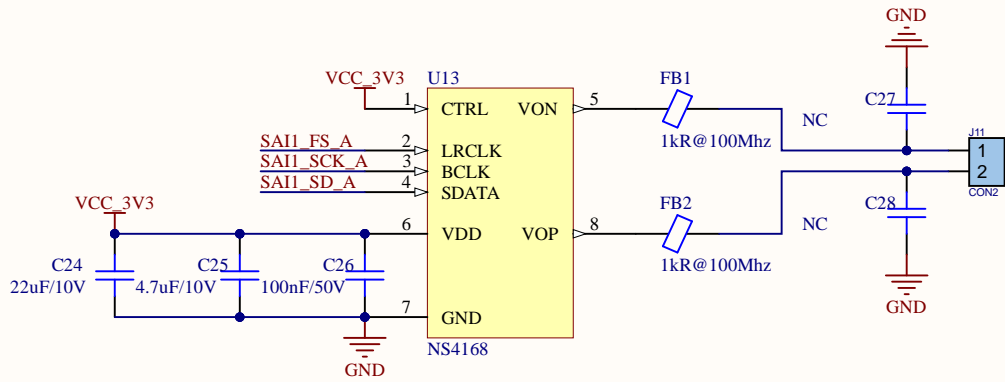
Title		
Size	Number	Revision
A2		
Date:	4/24/2024	Sheet of
File:	C:\F\I\AS\INTERFACE SchDoc	Drawn By:



Title		
Size	Number	Revision
A3		
Date:	4/24/2024	Sheet of
File:	C:\E_\A3-TRANSIVERS.SchDoc	Drawn By:



Title		
Size	Number	Revision
A		
Date:	4/24/2024	Sheet of
File:	C:\F\...\A4-PSU.SchDoc	Drawn By:



Title		
Size	Number	Revision
A		
Date:	4/24/2024	Sheet of
File:	C:\F\...\A5-AUDIO.SchDoc	Drawn By: