

1

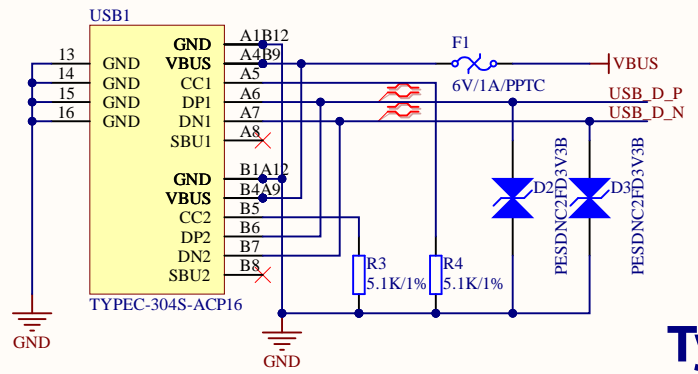
2

3

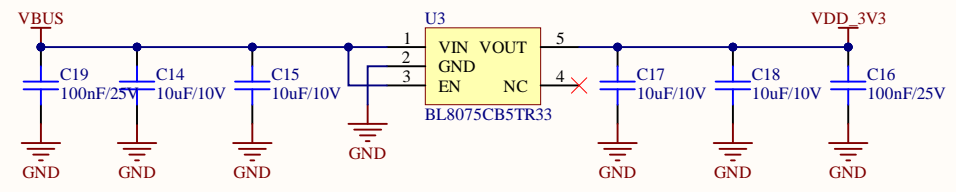
4

A

A

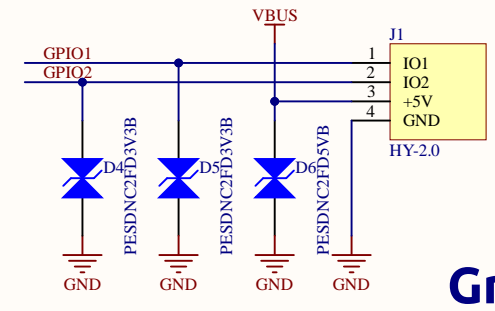
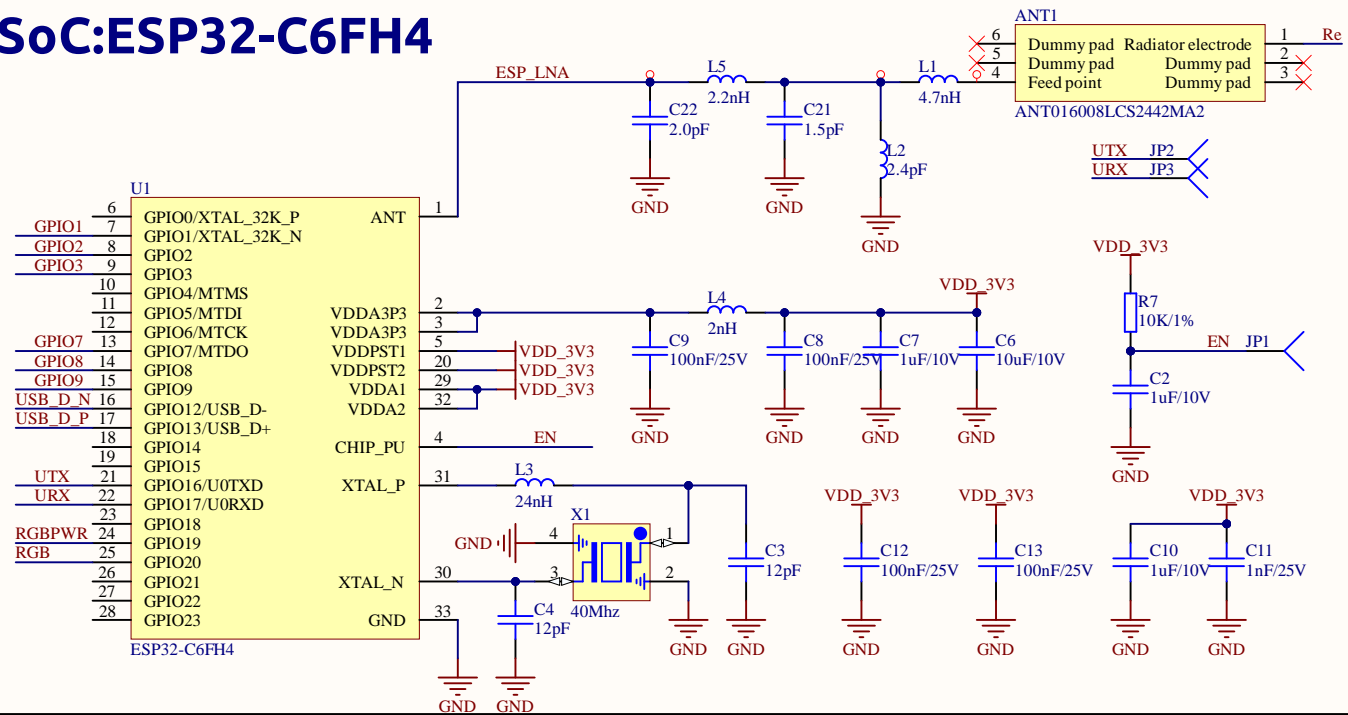


Type-C

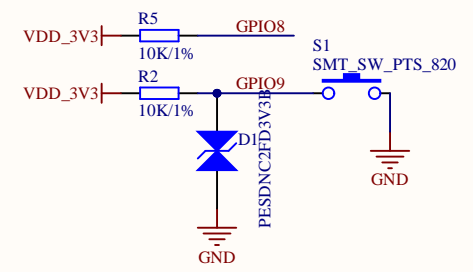


LDO 3.3V

SoC:ESP32-C6FH4

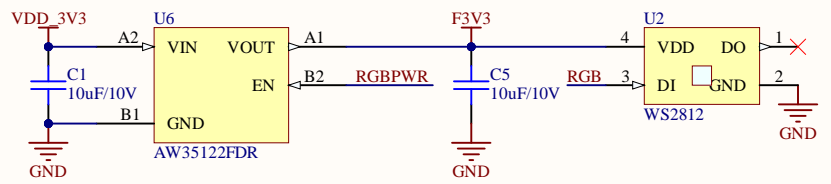


Grove



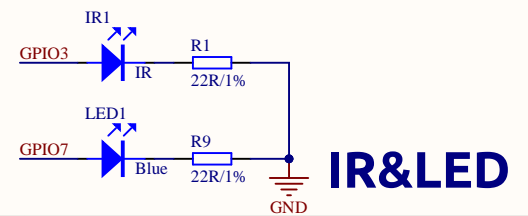
Button

RGB LED



D

D



IR&LED

1

2

3

4