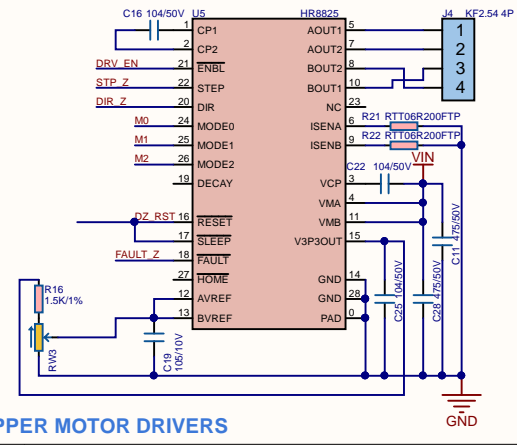
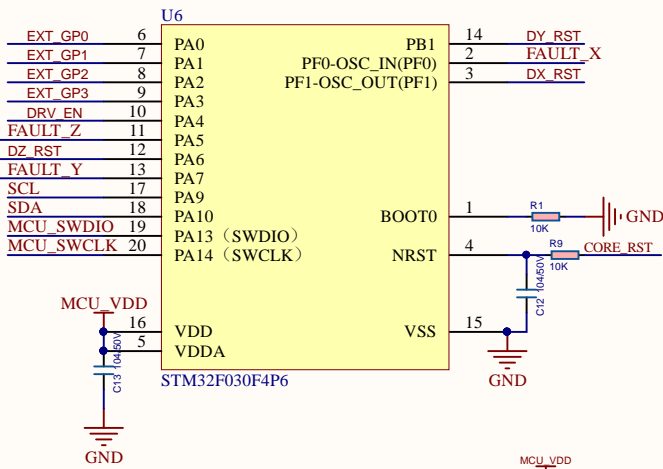
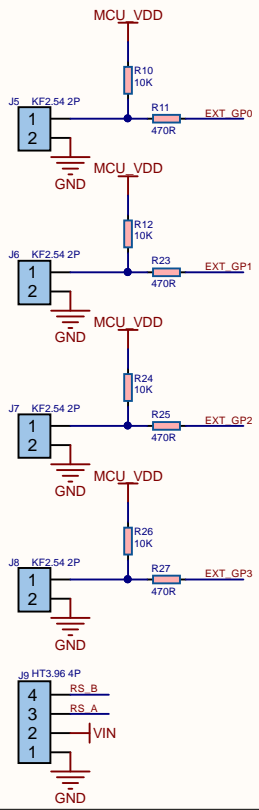
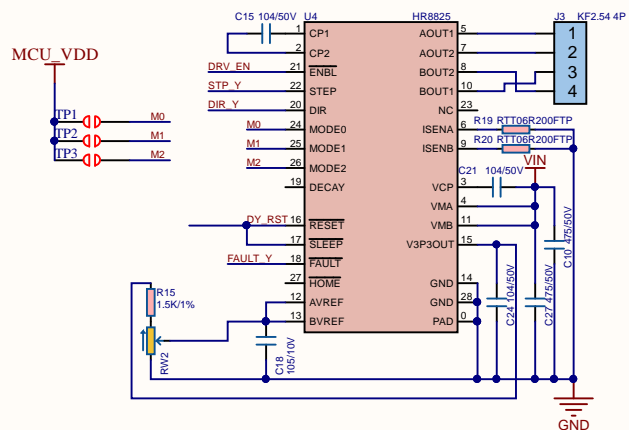
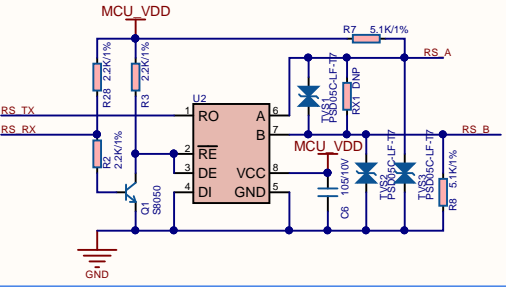


BUCK_5.0V

RS-485



3x STEPPER MOTOR DRIVERS

PORTS

MCU&DBG_SW

SWD