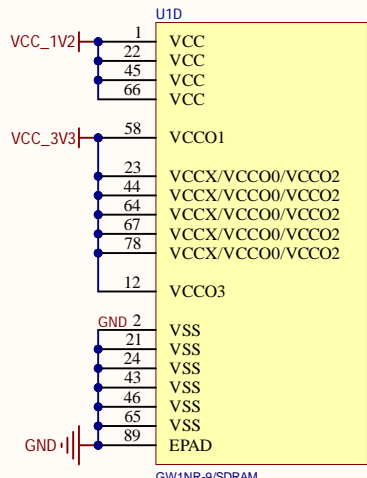
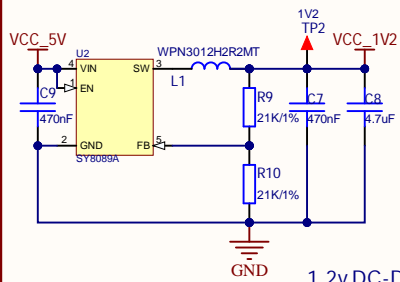


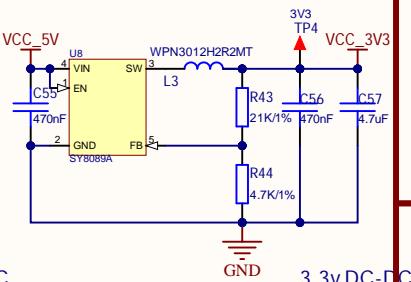
5v DC-DC



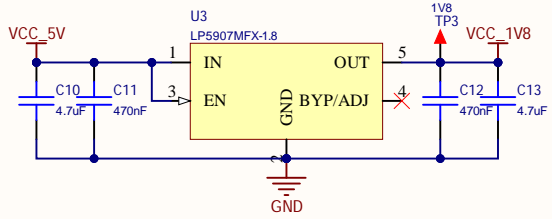
FPGA\_Power



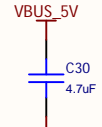
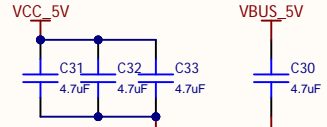
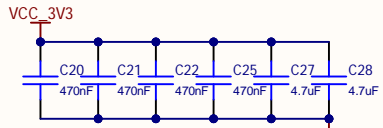
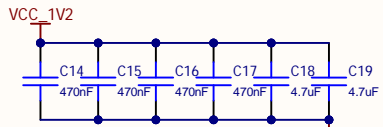
1.2v DC-DC



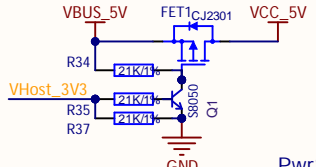
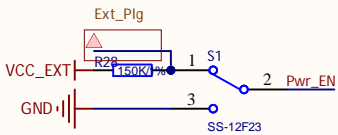
3.3v DC-DC



1.8v LDO

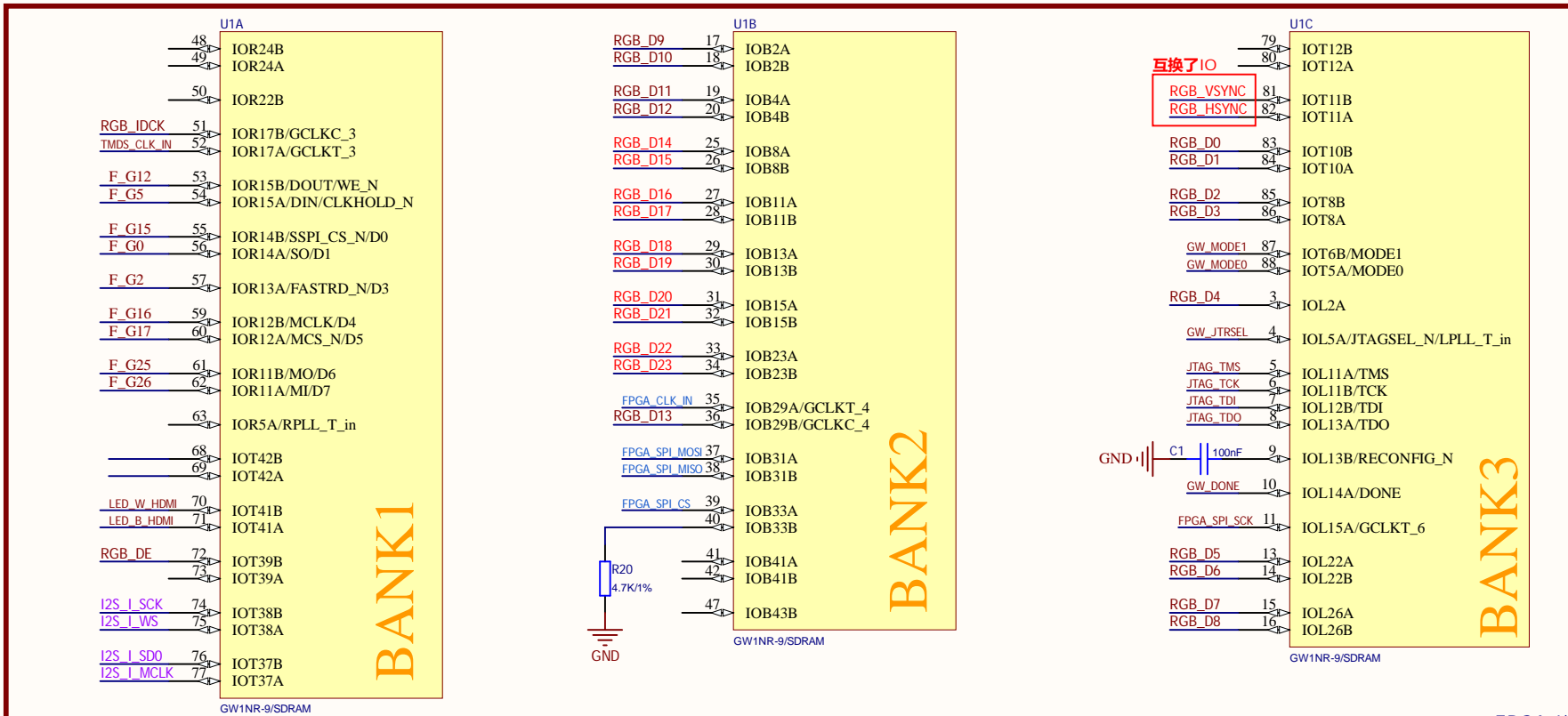


Cap

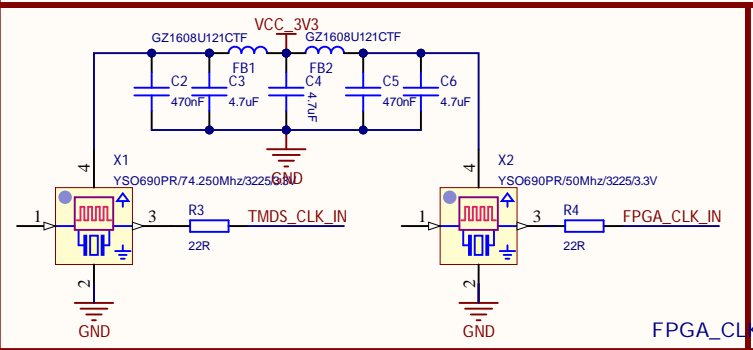


PwrSwitch

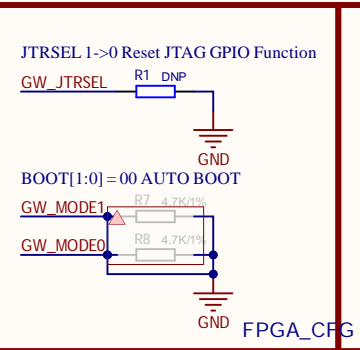
Title		
Size	Number	Revision
A4		
Date:	11/08/2022	Sheet of
File:	F:\AltiumDesigner\.\PSU.SchDoc	Drawn By:



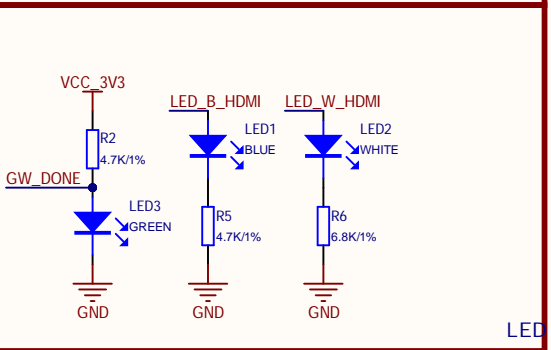
FPGA\_I/O



FPGA\_CLK



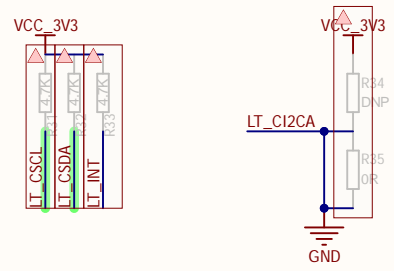
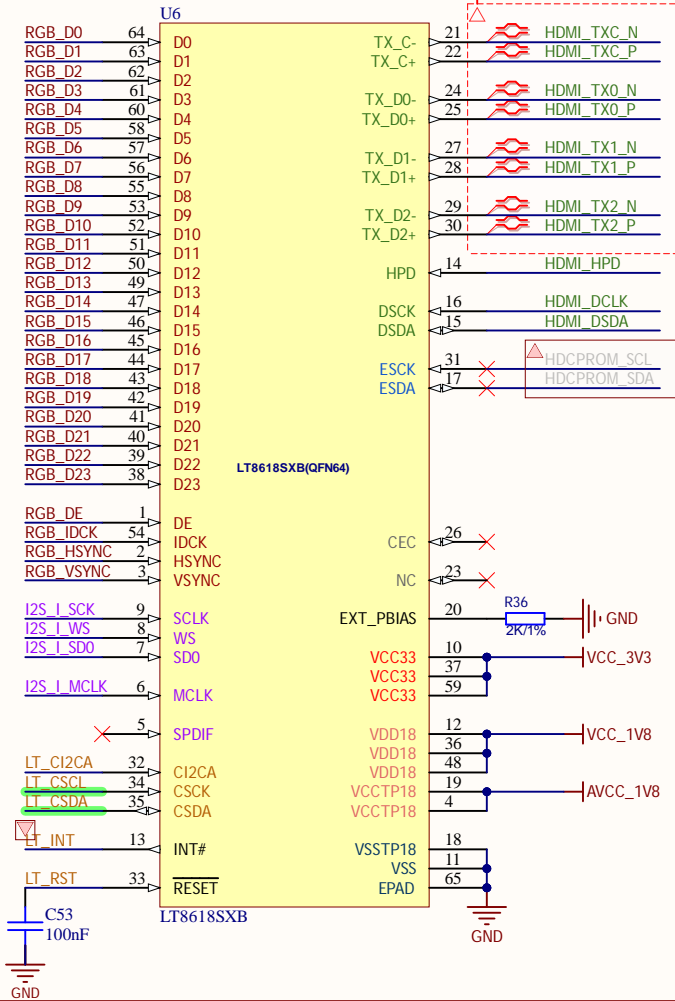
FPGA\_CFG



LED

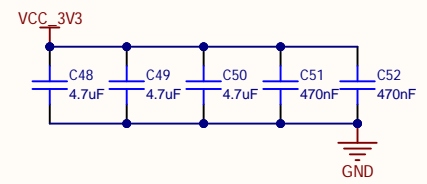
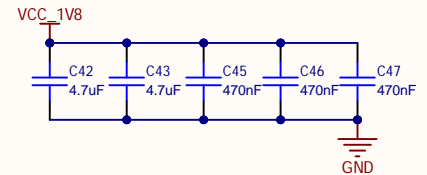
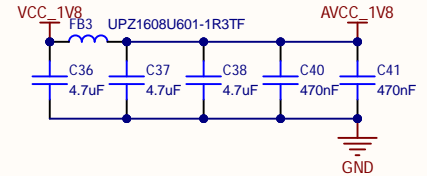
Title		
Size	Number	Revision
A4		
Date:	11/08/2022	Sheet of
File:	F:\AltiumDesigner\..FPGA.SchDoc	Drawn By:

HDMI\_TMDS

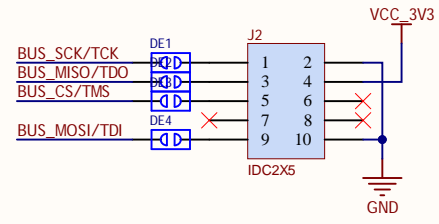
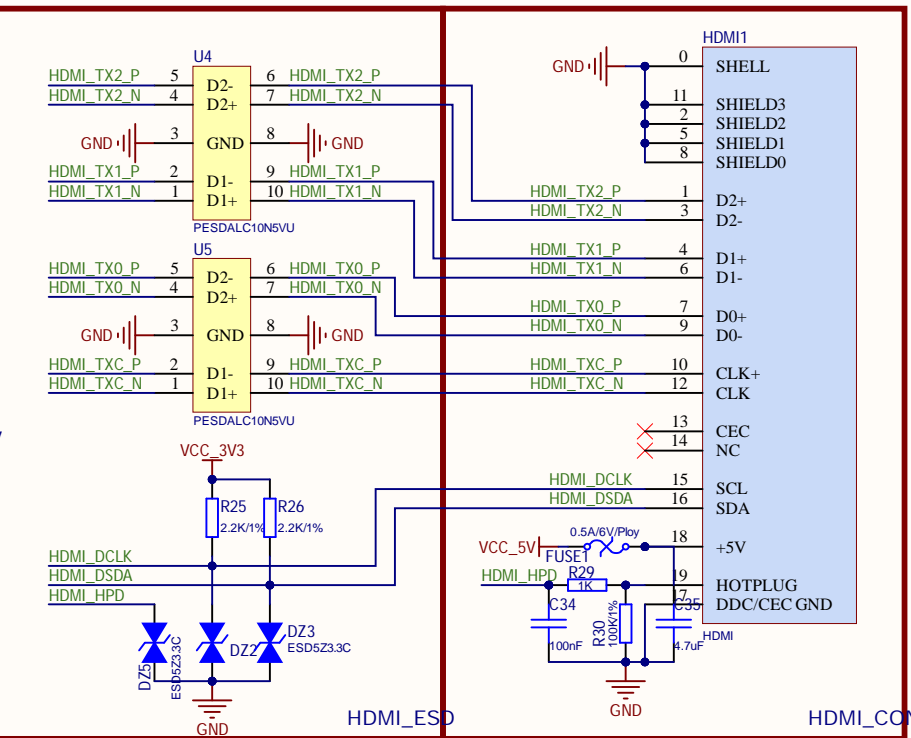
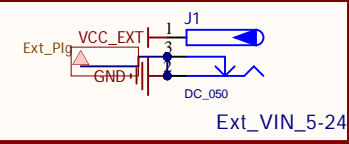
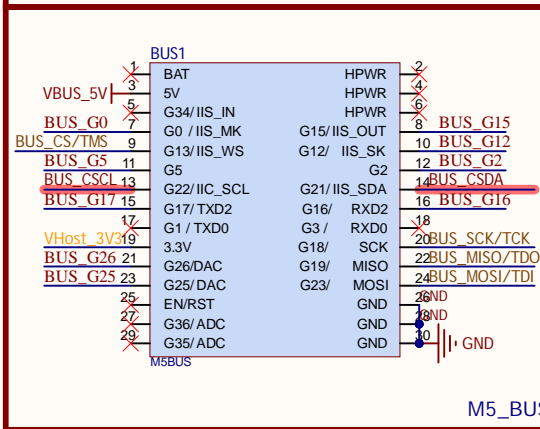
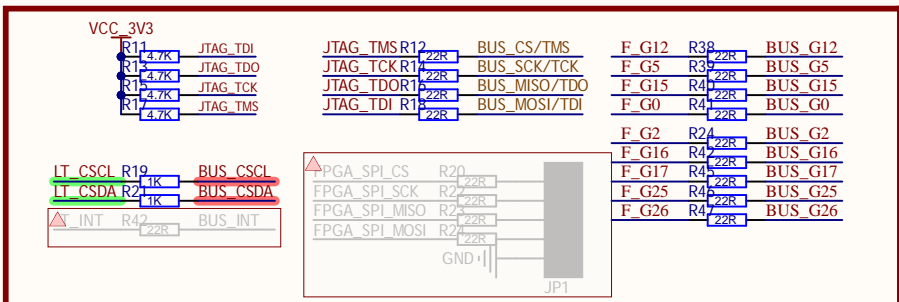


C12CA I2C address

(0400mV)-----	0x72
(400mV800mV)-----	0x7a
(800mV1200mV)-----	0x90
(1200mV1600mV)---	0x92
(2000mV2400mV)---	0x94
(2400mV2800mV)---	0x7e
(2800mV3300mV)---	0x76



Title		
Size	Number	Revision
A4		
Date:	11/08/2022	Sheet of
File:	F:\AltiumDesigner\...\RGB2HDMI.SchDoc Drawn By:	



Title		
Size	Number	Revision
A4		V0.2
Date:	11/08/2022	Sheet of
File:	F:\AltiumDesigner\...\PINOUT.SchDoc	Drawn By: