

1

2

3

4

A

A

B

B

C

C

D

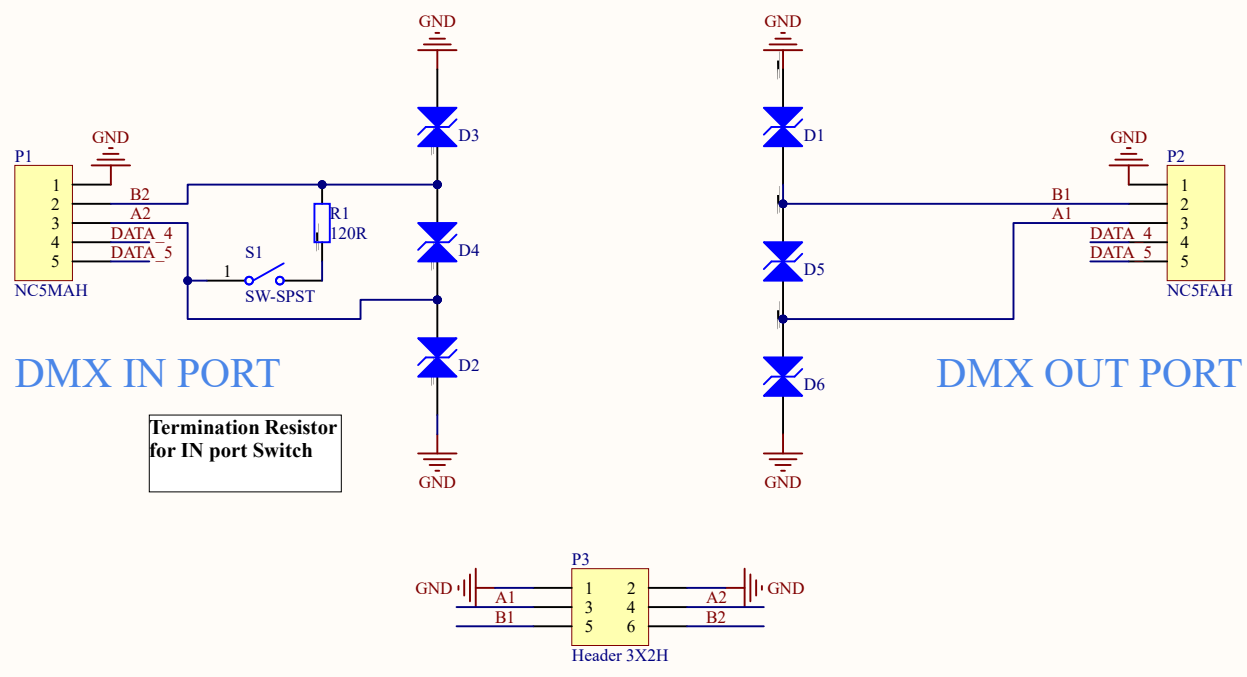
D

1

2

3

4



DMX IN PORT

DMX OUT PORT

Termination Resistor for IN port Switch

Header 3X2H