

1

2

3

4

A

A

B

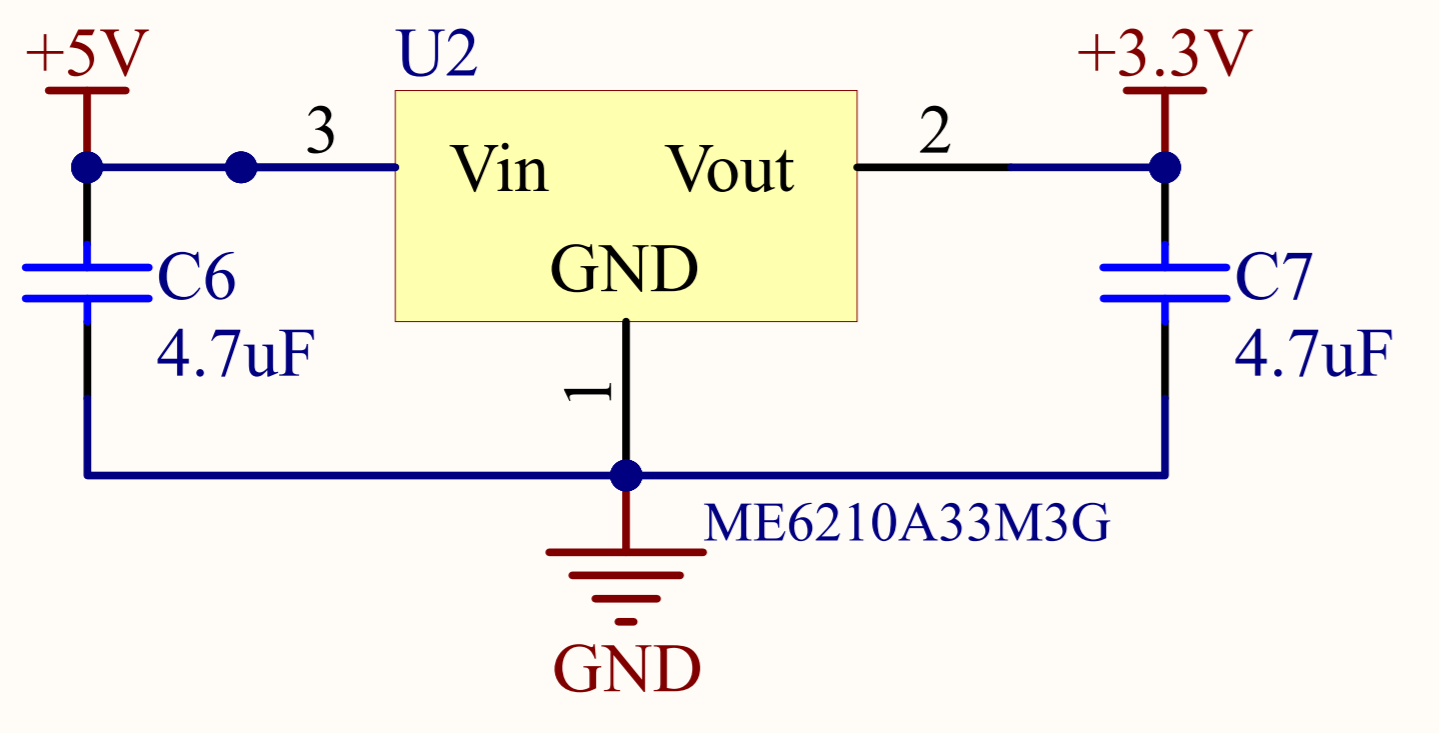
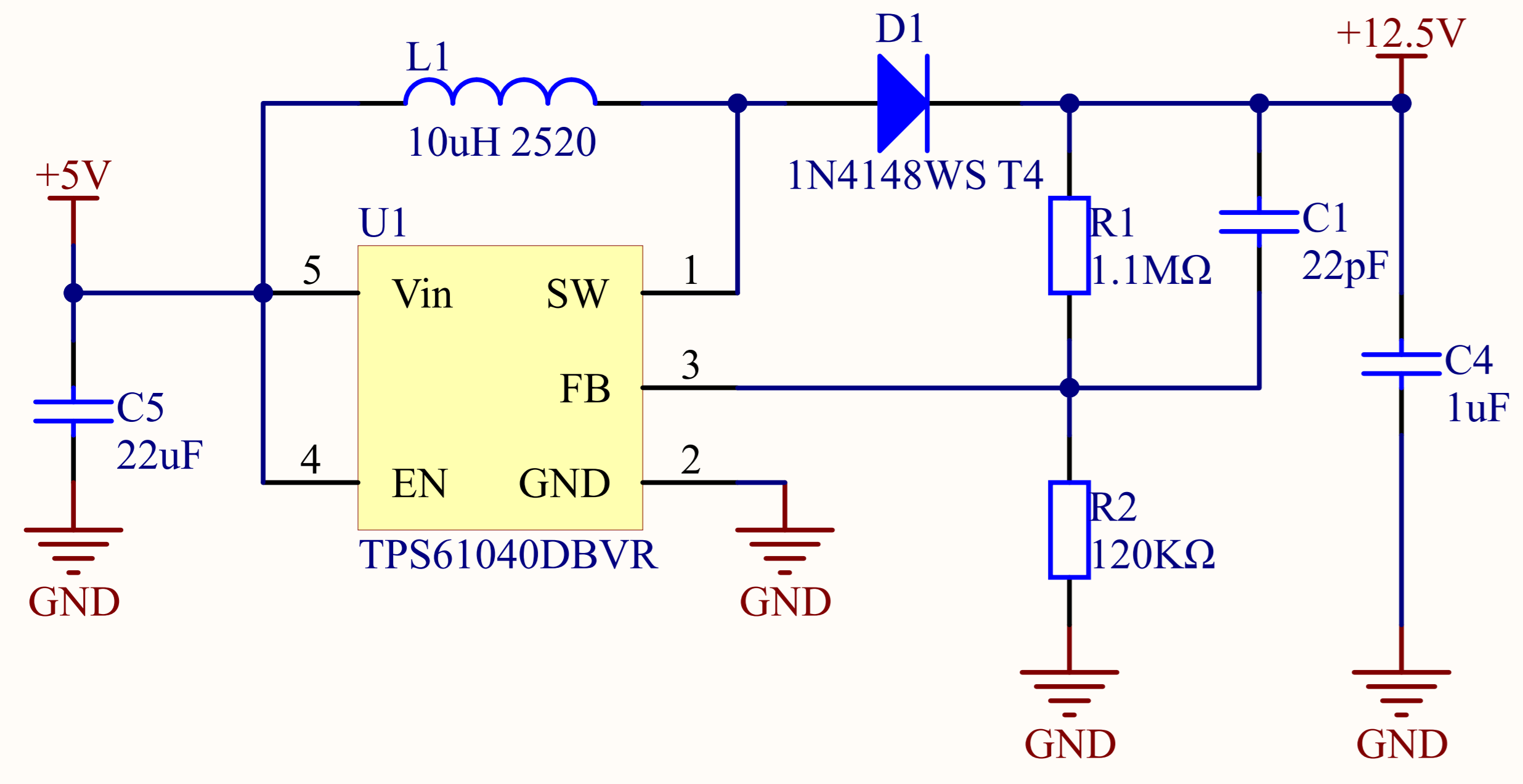
B

C

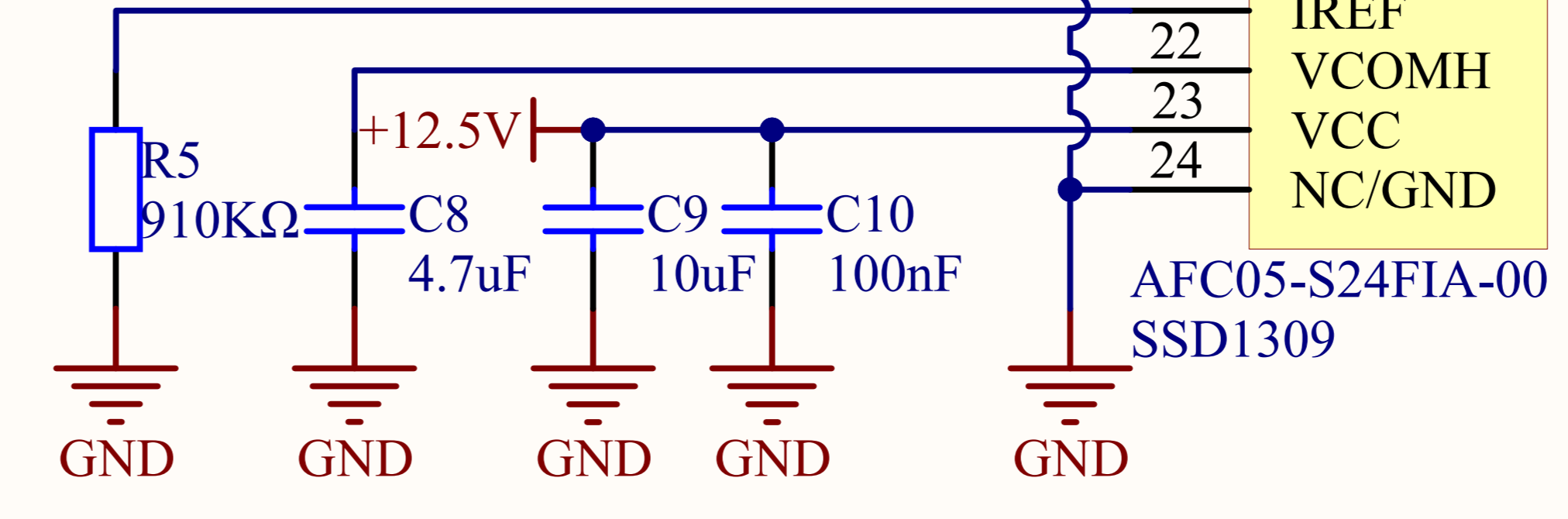
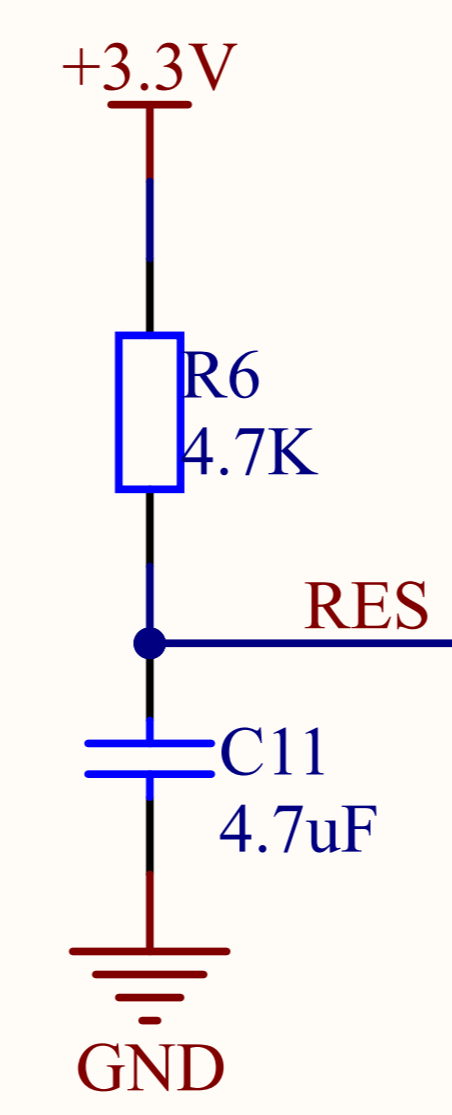
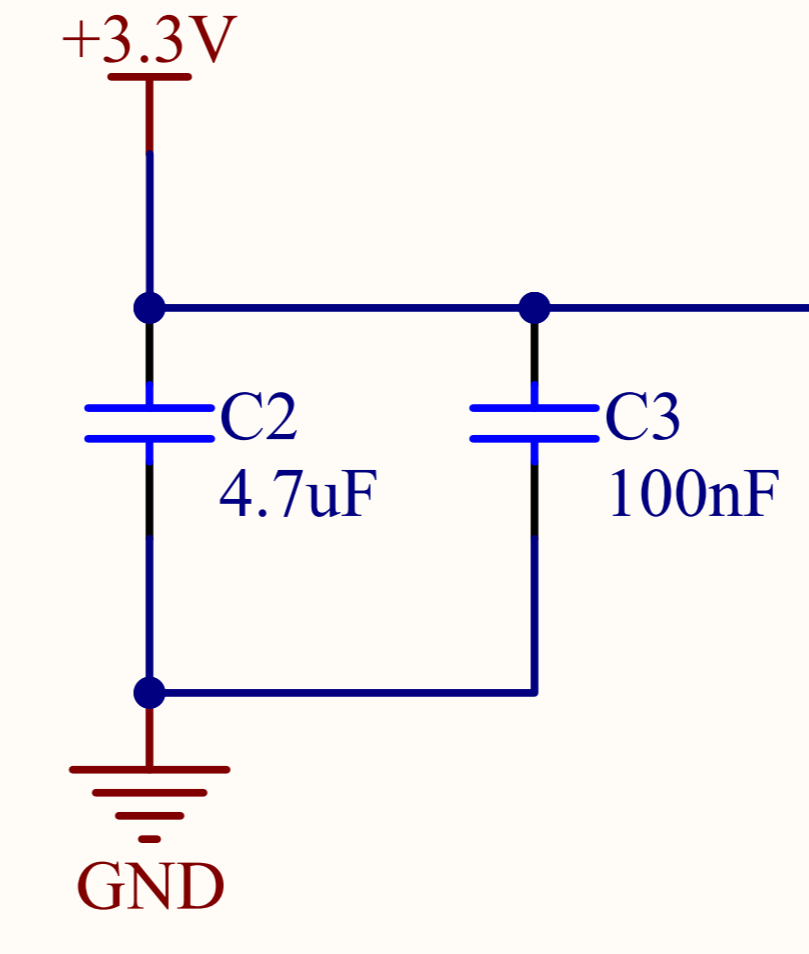
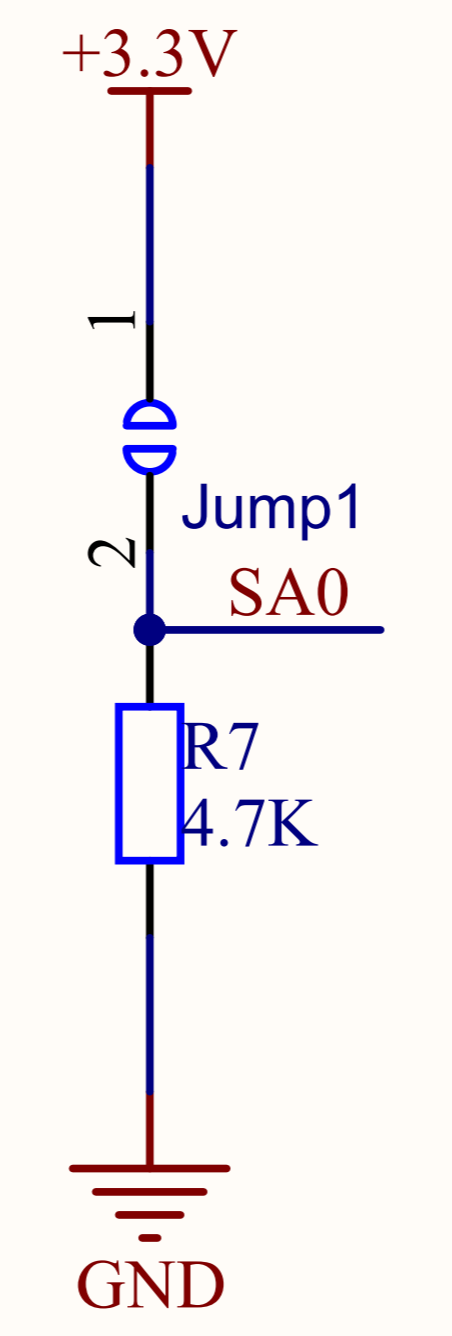
C

D

D

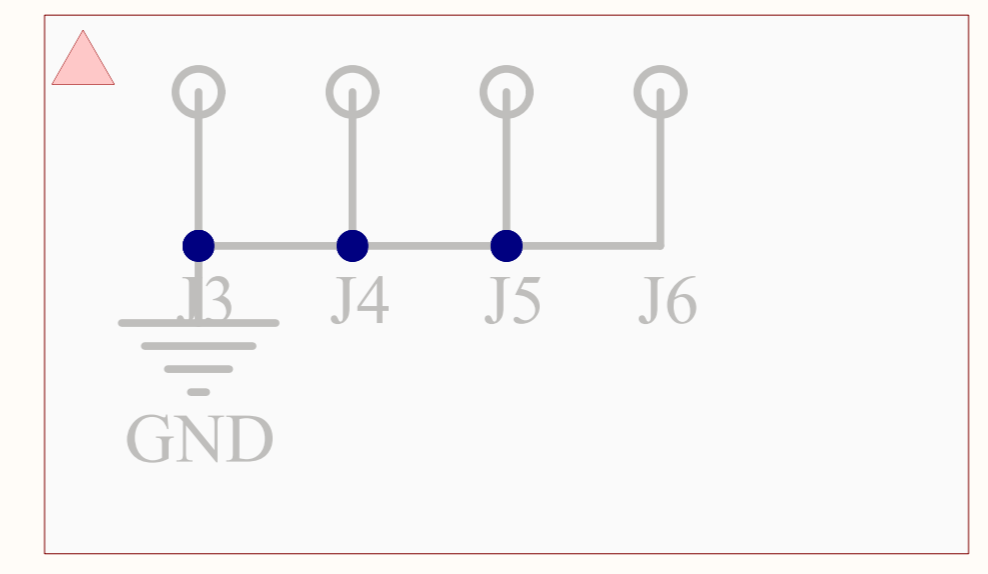
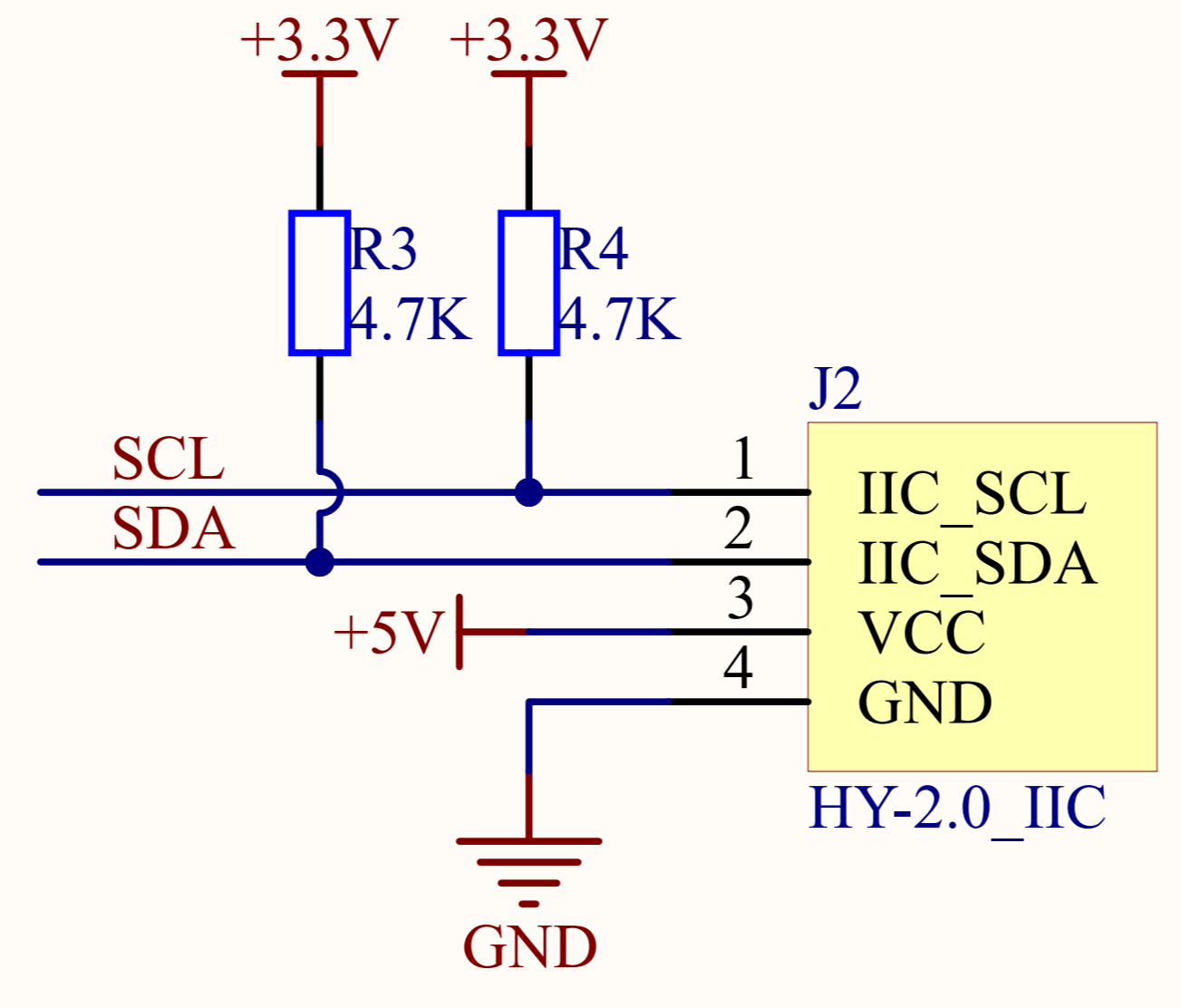
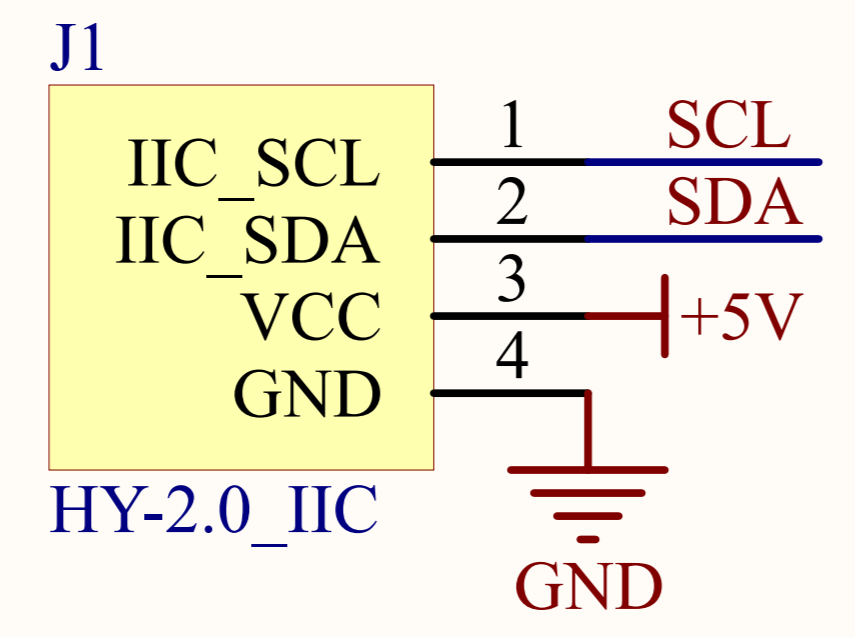


I2C ADD
SA0=0 0x3C
SA0=1 0x3D



1	GND
2	VLSS
3	VSS
4	NC
5	VDD
6	BS1
7	BS2
8	CS
9	RES
10	SA0
11	DC
12	RW
13	RD
14	D0
15	D1
16	D2
17	D3
18	D4
19	D5
20	D6
21	D7
22	IREF
23	VCOMH
24	VCC
25	NC/GND

AFC05-S24FIA-00
SSD1309



1

2

3

4