

1

2

3

4

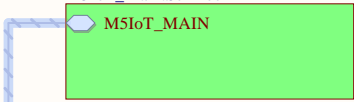
A

A

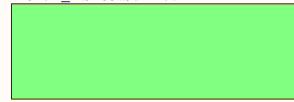
U\_M5IoT\_ADC  
M5IoT\_ADC.SchDoc



U\_M5IoT\_Main  
M5IoT\_Main.SchDoc



U\_M5IoT\_RS485  
M5IoT\_RS485.SchDoc



U\_M5IoT\_DAC  
M5IoT\_DAC.SchDoc



U\_M5IoT\_PROTO  
M5IoT\_PROTO.SchDoc



U\_M5IoT\_SENSOR  
M5IoT\_SENSOR.SchDoc



B

B

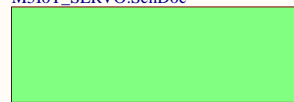
U\_M5IoT\_DCMOTOR  
M5IoT\_DCMOTOR.SchDoc



U\_M5IoT\_MATRIX  
M5IoT\_MATRIX.SchDoc



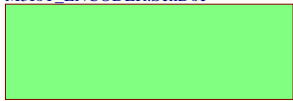
U\_M5IoT\_SERVO  
M5IoT\_SERVO.SchDoc



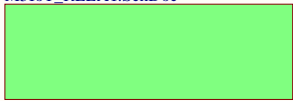
C

C

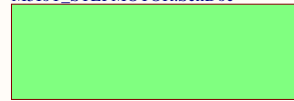
U\_M5IoT\_ENCODER  
M5IoT\_ENCODER.SchDoc



U\_M5IoT\_RELAY  
M5IoT\_RELAY.SchDoc



U\_M5IoT\_STEPMOTOR  
M5IoT\_STEPMOTOR.SchDoc



U\_M5IoT\_JOYSTICK  
M5IoT\_JOYSTICK.SchDoc



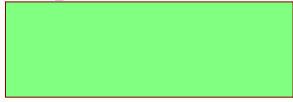
U\_M5IoT\_RFID  
M5IoT\_RFID.SchDoc



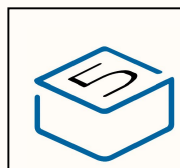
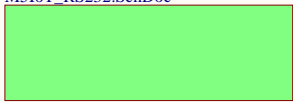
D

D

U\_M5IoT\_KEYBOARD  
M5IoT\_KEYBOARD.SchDoc



U\_M5IoT\_RS232  
M5IoT\_RS232.SchDoc



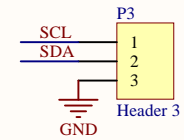
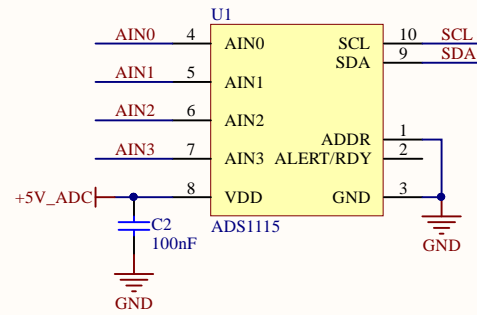
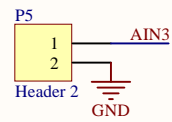
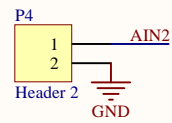
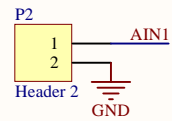
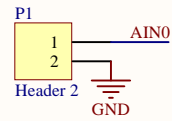
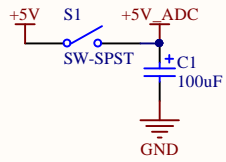
Project Title: M5IoT.PrjPCB	
Sheet Title: M5IoT.SchDoc	
Website: <a href="http://m5stack.com">m5stack.com</a>	Revised: *
Size:	Sheet * of *
Date: *	Drawn by: *

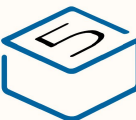
1

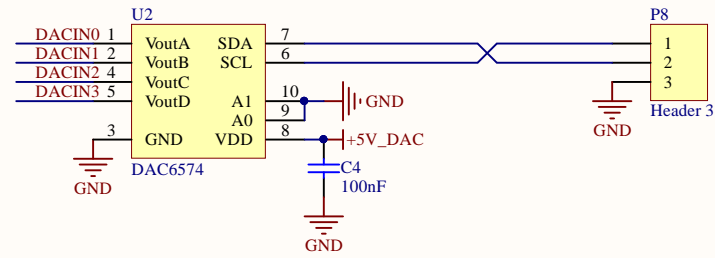
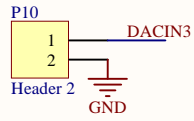
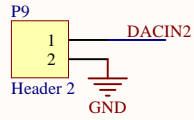
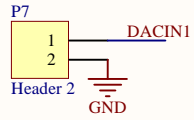
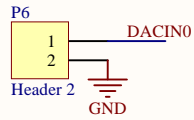
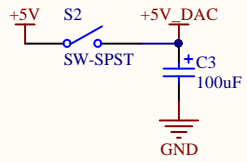
2


3

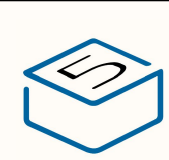
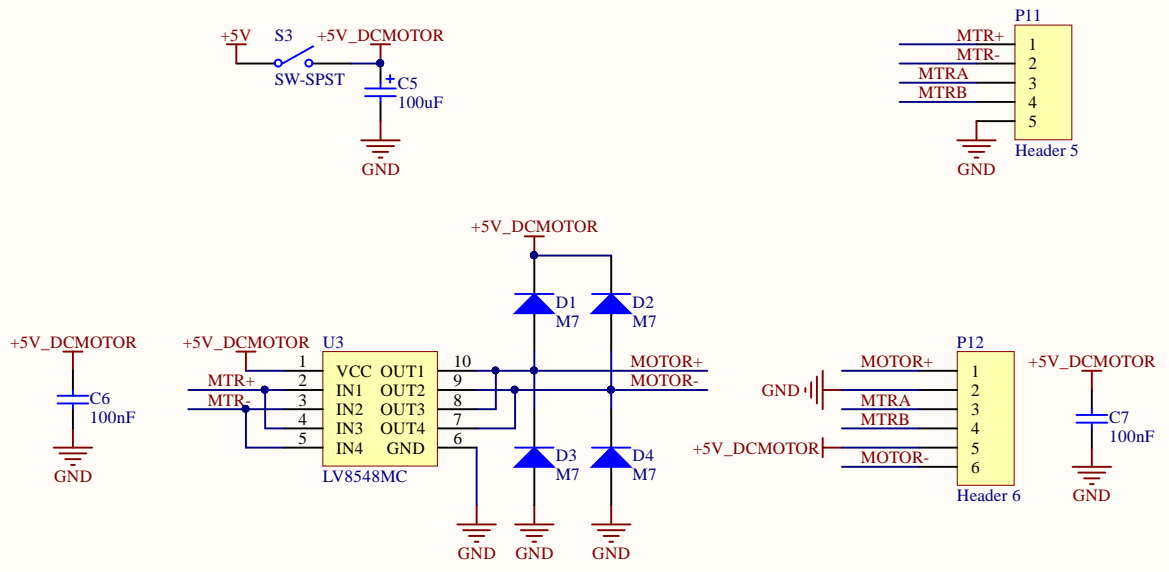
4



	Project Title: M5IoT.PrjPCB	
	Sheet Title: M5IoT_ADC.SchDoc	
	Website: <a href="http://m5stack.com">m5stack.com</a>	Revised: *
	Size:	Sheet * of *
	Date: *	Drawn by: *



	Project Title: M5IoT.PrjPCB	
	Sheet Title: M5IoT_DAC.SchDoc	
	Website: <a href="http://m5stack.com">m5stack.com</a>	Revised: *
	Size:	Sheet * of *
	Date: *	Drawn by: *



Project Title: M5IoT.PrjPCB	
Sheet Title: M5IoT_DCMOTOR.SchDoc	
Website: <a href="https://m5stack.com">m5stack.com</a>	Revised: *
Size:	Sheet * of *
Date: *	Drawn by: *

1

2

3

4

A

A

B

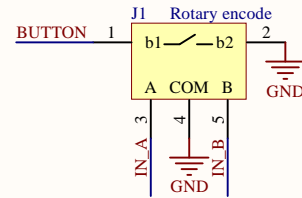
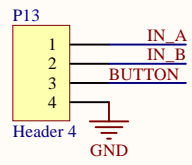
B

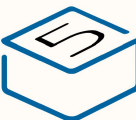
C

C

D

D



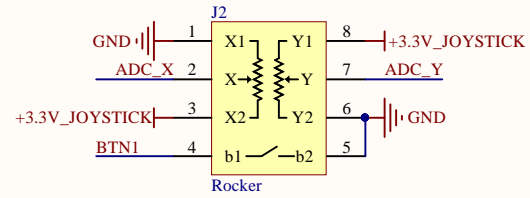
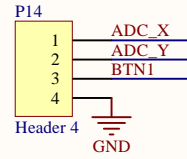
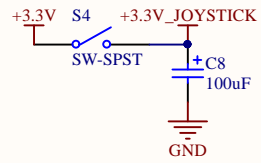
	Project Title: M5IoT.PrjPCB	
	Sheet Title: M5IoT_ENCODER.SchDoc	
	Website: <a href="http://m5stack.com">m5stack.com</a>	Revised: *
	Size:	Sheet * of *
	Date: *	Drawn by: *


1

2

3

4



	Project Title: M5IoT.PrjPCB	
	Sheet Title: M5IoT_JOYSTICK.SchDoc	
	Website: <a href="http://m5stack.com">m5stack.com</a>	Revised: *
	Size:	Sheet * of *
	Date: *	Drawn by: *

1

2

3

4

A

A

B

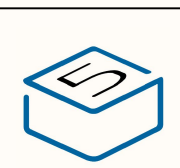
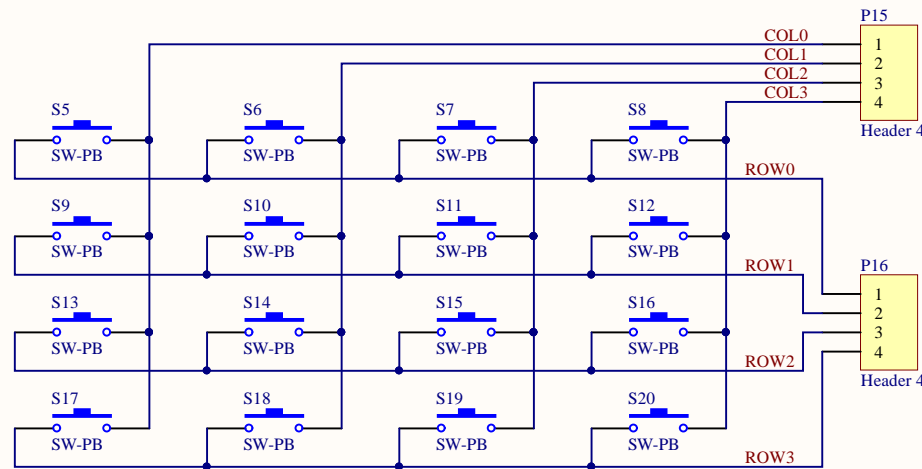
B

C

C

D

D



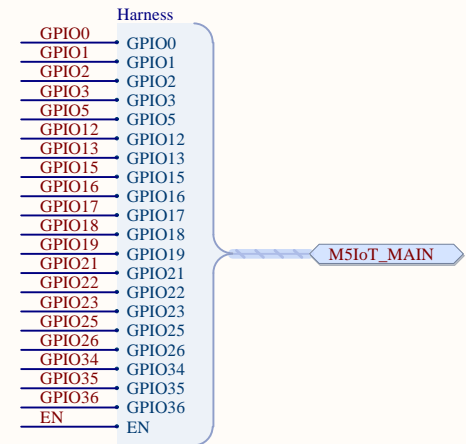
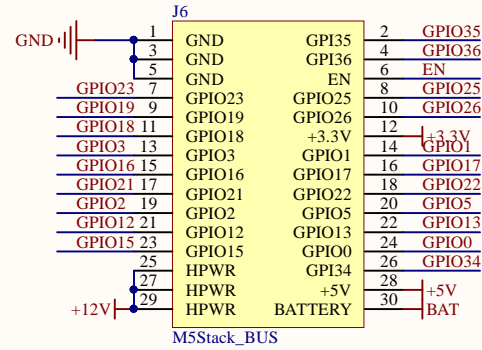
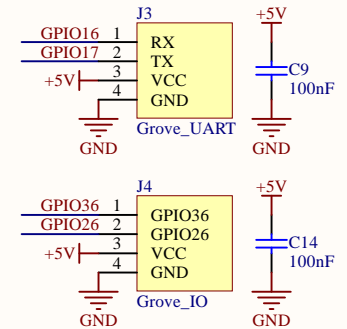
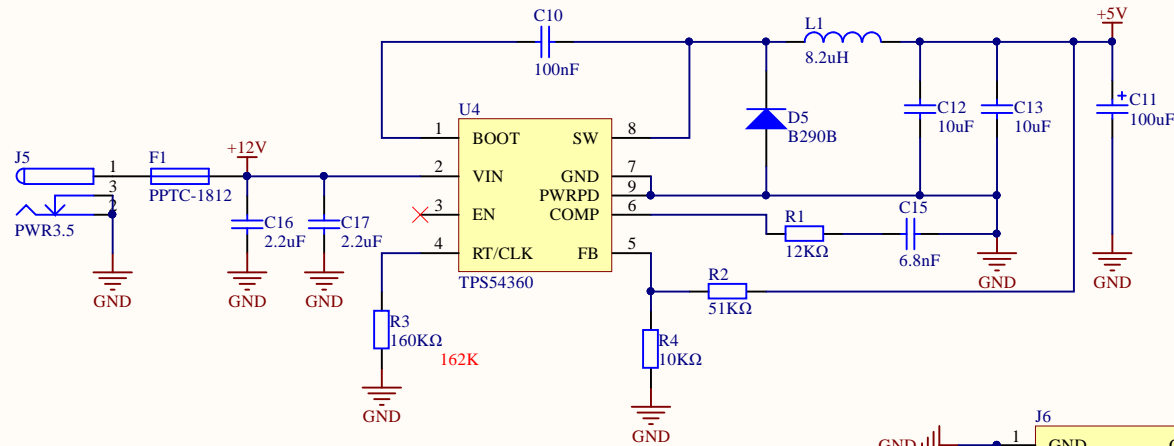
Project Title: M5IoT.PrjPCB	
Sheet Title: M5IoT_KEYBOARD.SchDoc	
Website: <a href="http://m5stack.com">m5stack.com</a>	Revised: *
Size:	Sheet * of *
Date: *	Drawn by: *

1

2

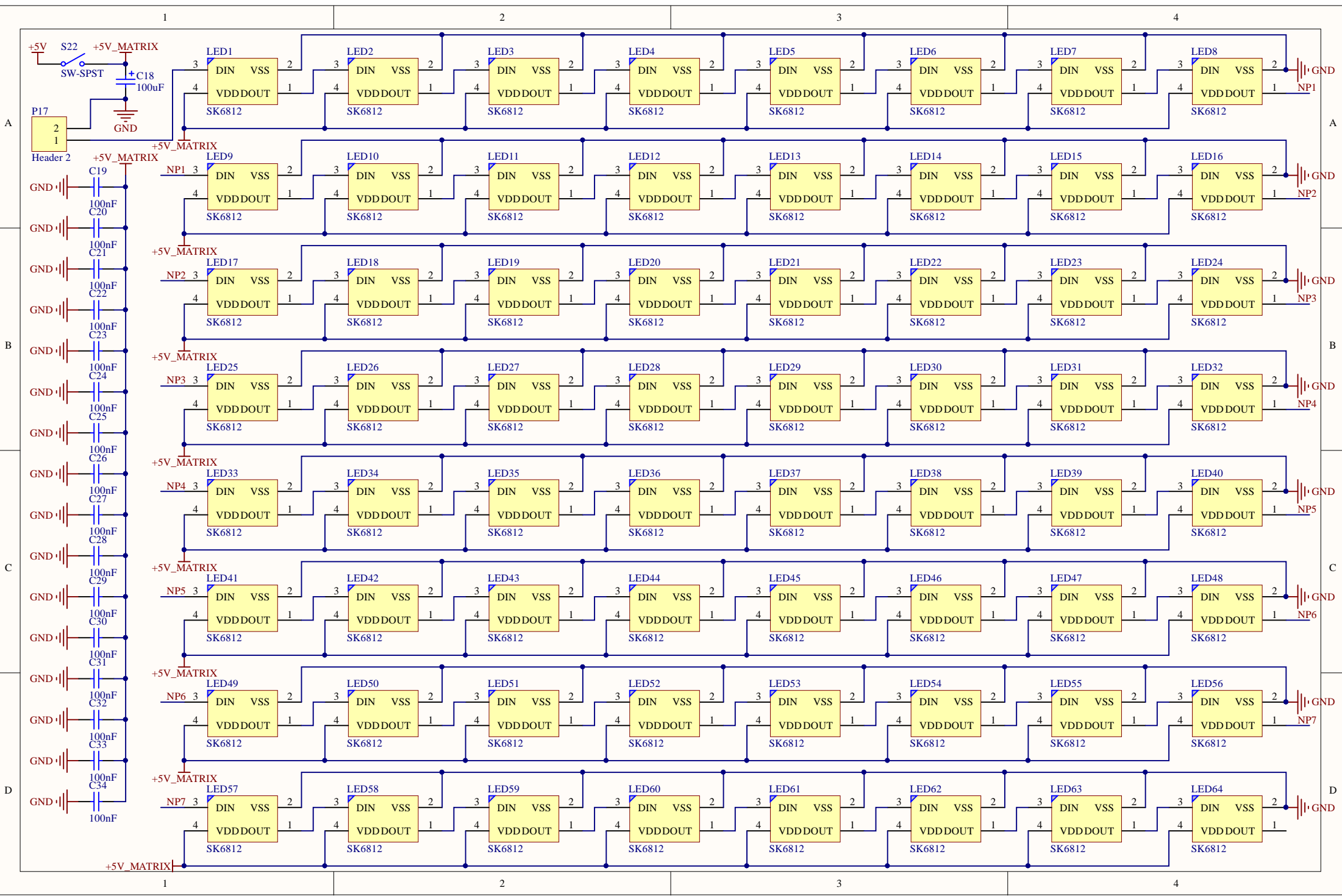
3

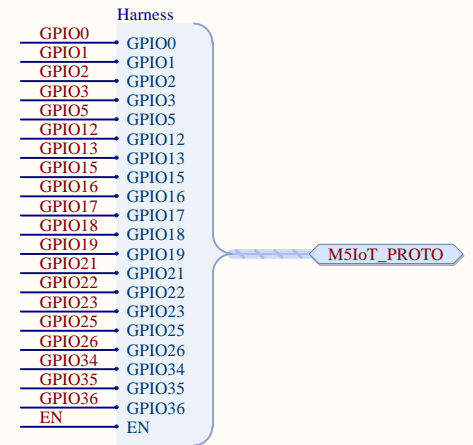
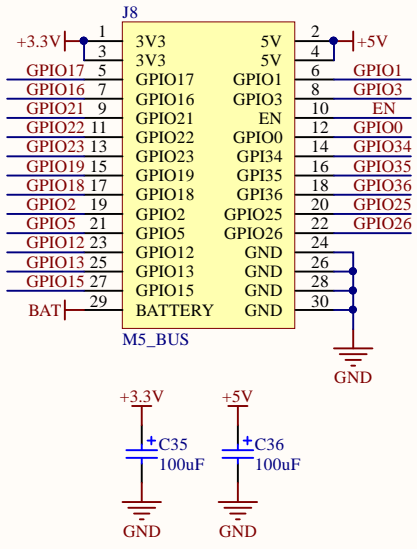
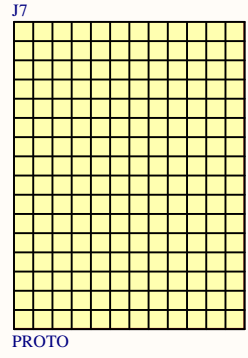
4

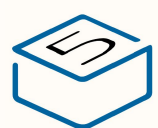


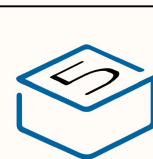
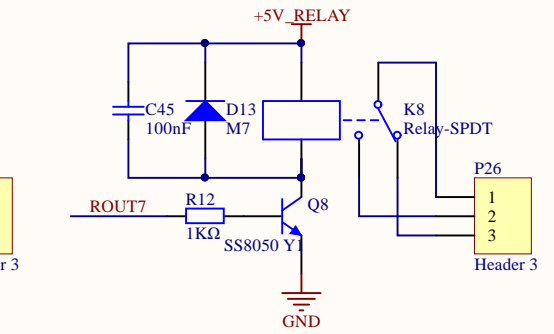
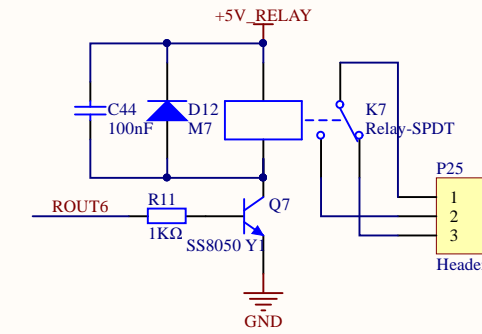
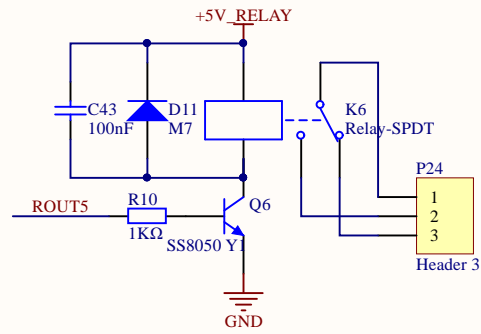
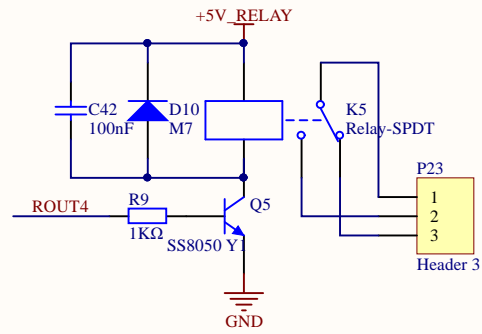
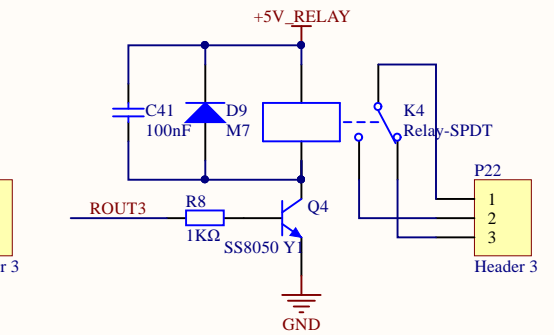
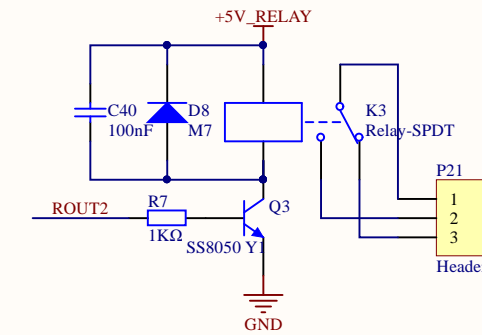
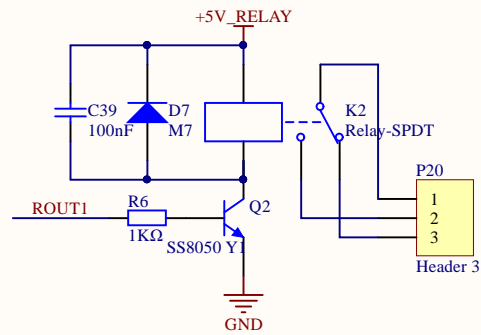
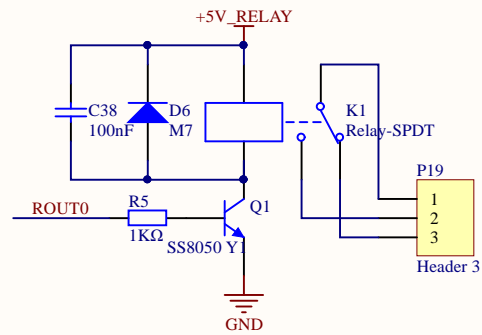
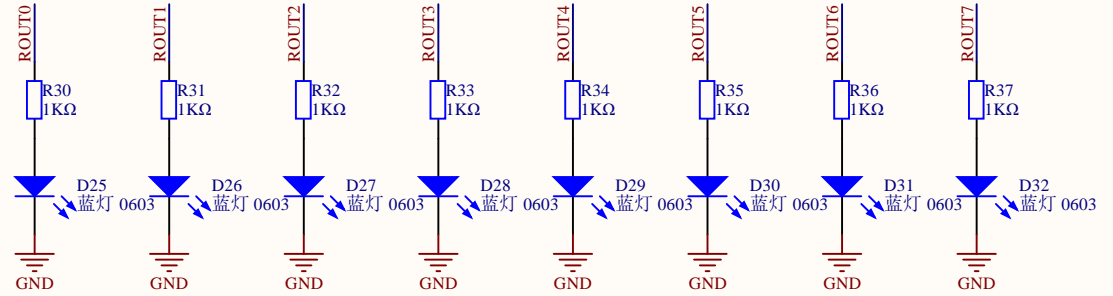
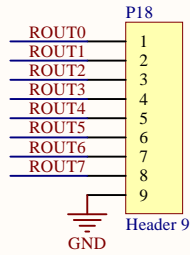
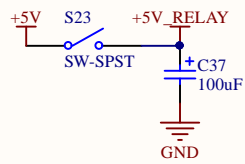
	Project Title: M5IoT.PrjPCB	
	Sheet Title: M5IoT_Main.SchDoc	
	Website: <a href="http://m5stack.com">m5stack.com</a>	Revised: *
	Size:	Sheet * of *
	Date: *	Drawn by: *



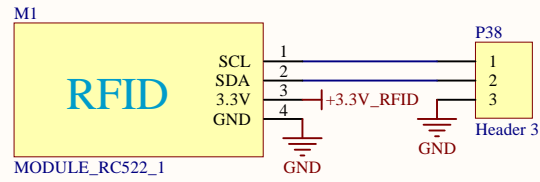
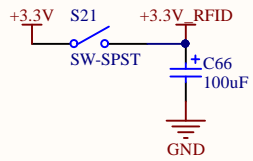


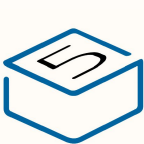


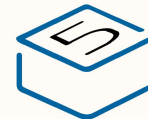
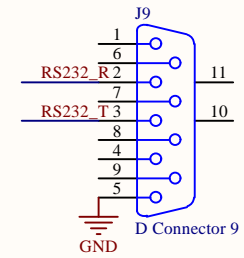
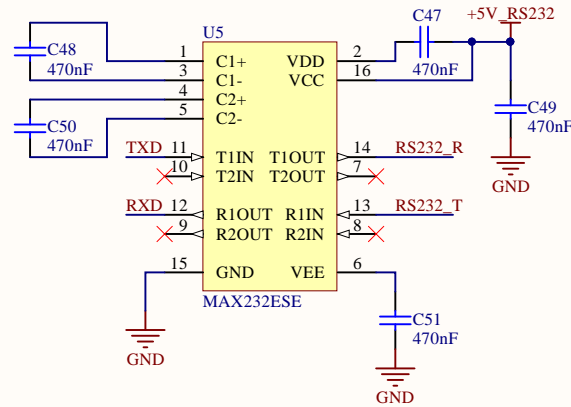
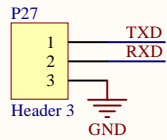
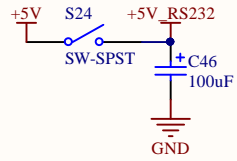
	Project Title: M5IoT.PrjPCB	
	Sheet Title: M5IoT_PROTO.SchDoc	
	Website: <a href="http://m5stack.com">m5stack.com</a>	Revised: *
	Size:	Sheet * of *
	Date: *	Drawn by: *



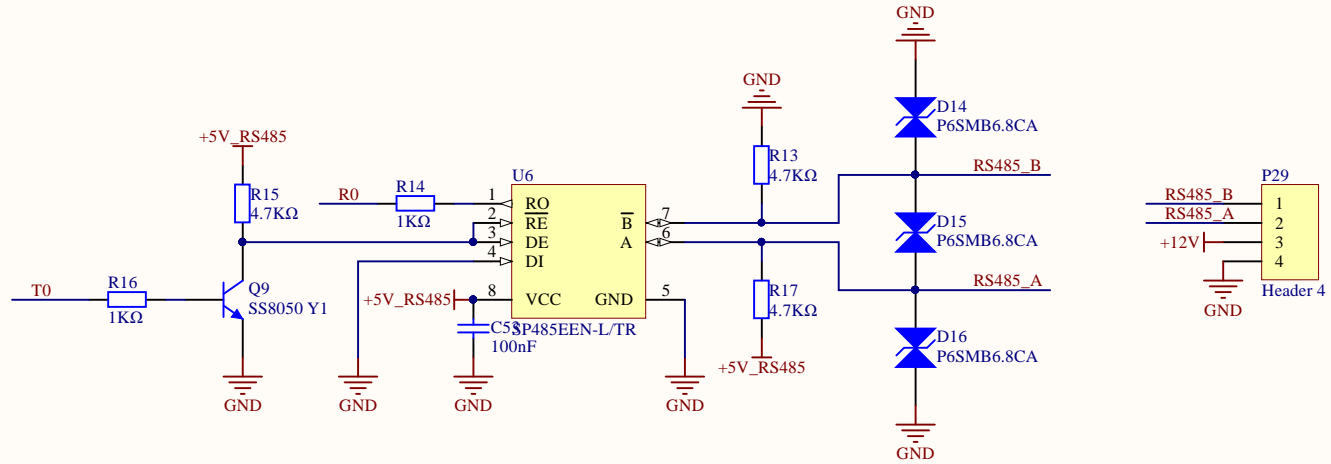
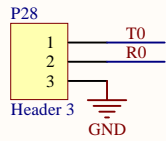
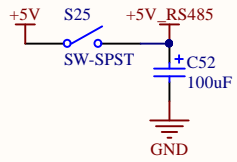
Project Title: M5IoT.PrjPCB	
Sheet Title: M5IoT_RELAY.SchDoc	
Website: <a href="http://m5stack.com">m5stack.com</a>	Revised: *
Size:	Sheet * of *
Date: *	Drawn by: *



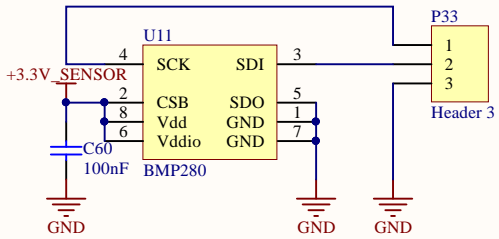
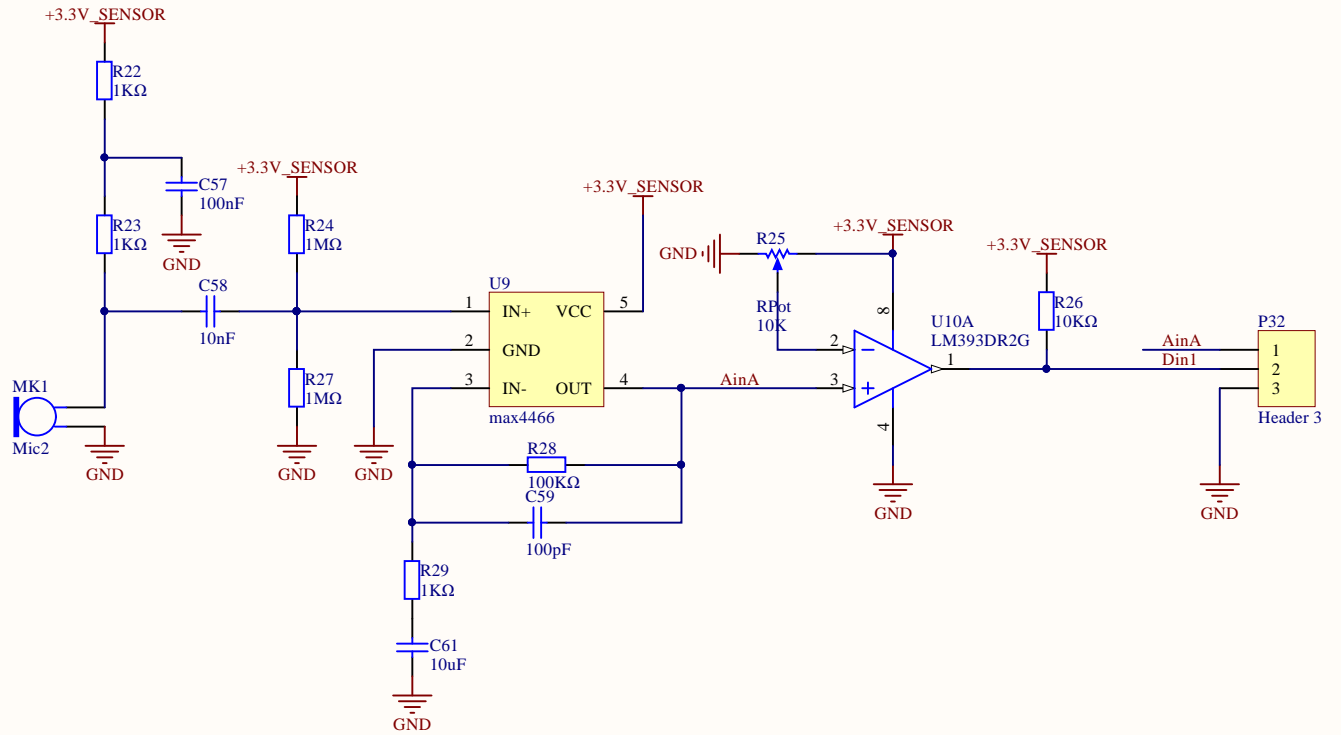
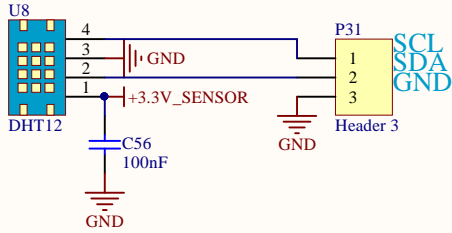
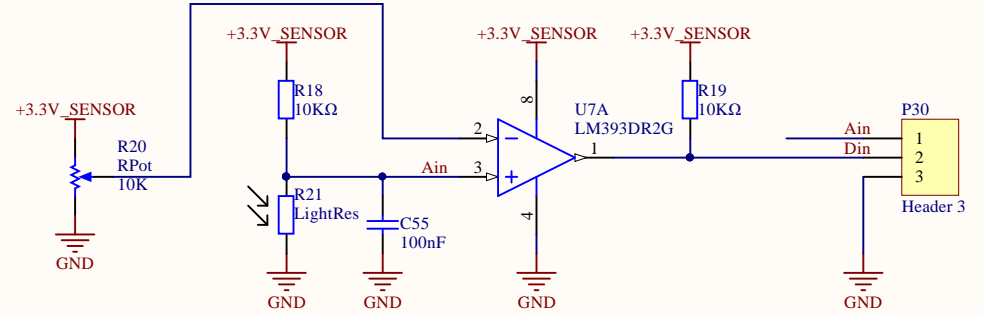
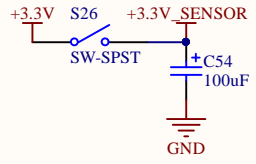
	Project Title: M5IoT.PrjPCB	
	Sheet Title: M5IoT_RFID.SchDoc	
	Website: <a href="http://m5stack.com">m5stack.com</a>	Revised: *
	Size:	Sheet * of *
	Date: *	Drawn by: *



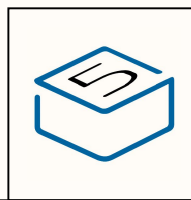
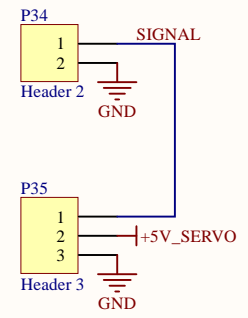
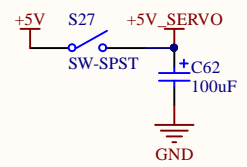
Project Title:	M5IoT.PrjPCB
Sheet Title:	M5IoT_RS232.SchDoc
Website: <a href="http://m5stack.com">m5stack.com</a>	Revised: *
Size:	Sheet * of *
Date: *	Drawn by: *



	Project Title: M5IoT.PrjPCB	
	Sheet Title: M5IoT_RS485.SchDoc	
	Website: <a href="http://m5stack.com">m5stack.com</a>	Revised: *
	Size:	Sheet * of *
	Date: *	Drawn by: *

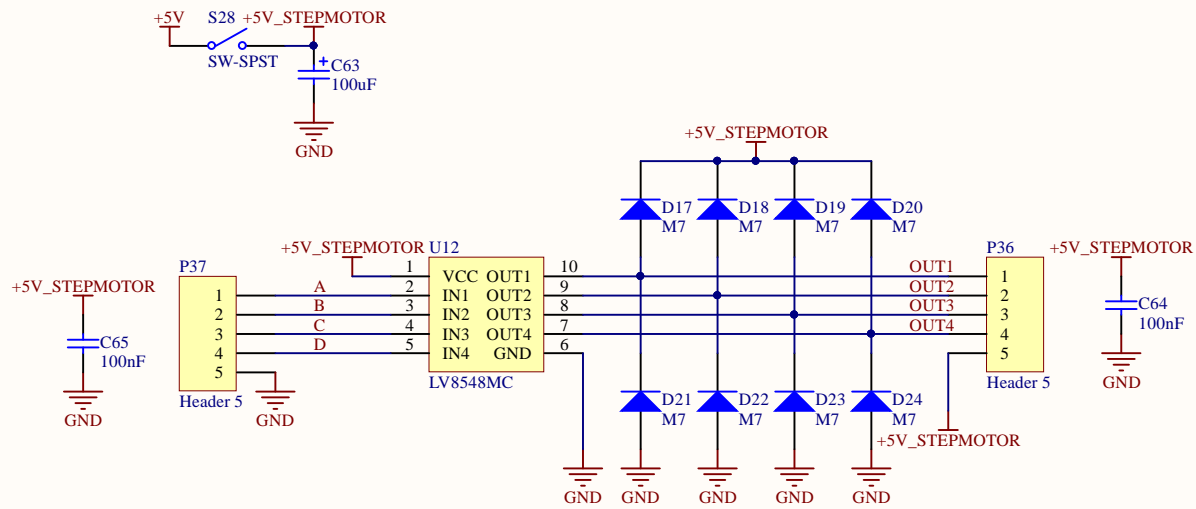


	Project Title: M5IoT.PrjPCB	
	Sheet Title: M5IoT_SENSOR.SchDoc	
	Website: <a href="http://m5stack.com">m5stack.com</a>	Revised: *
	Size:	Sheet * of *
	Date: *	Drawn by: *



Project Title: M5IoT.PrjPCB	
Sheet Title: M5IoT_SERVO.SchDoc	
Website: <a href="http://m5stack.com">m5stack.com</a>	Revised: *
Size:	Sheet * of *
Date: *	Drawn by: *





	Project Title: M5IoT.PrjPCB	
	Sheet Title: M5IoT_STEPMOTOR.SchDoc	
	Website: <a href="http://m5stack.com">m5stack.com</a>	Revised: *
	Size:	Sheet * of *
	Date: *	Drawn by: *